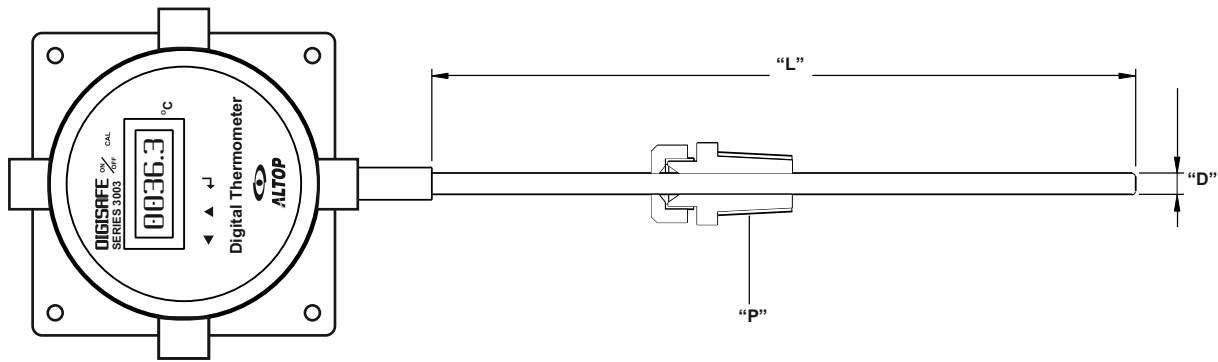


# DIGITAL TEMPERATURE GAUGE DIGISAFE STEM TYPE ADG 3004



CASING SIZE	Case & Bezel	Display	Supply	Stem	Connection "P"	Temp. Range	Sensor	Accuracy																		
02 100 mm	B Cast Aluminum FLP IIA/IIB	A1 5 Digit LCD 15mm Hights A2 3 1/2" Digit LED 12.5mm Hights	A1 6v Battery (1.5 x 4 Alkaline) A2 230V AC 1 N/O & 1 N/C	MATERIAL 01 SS 304 04 SS 316 DIA "D" 00 6mm 01 8mm 02 10mm 04 1/4" 05 3/8" 06 1/2" 07 Other LENGTH "L" mm	02 1/2" BSP 02A 1/2" NPT X Other	A -50 to +450 °C B 0 to 1000 °C	A PT-100 RTD upto 450 °C B K Thermocouple above 450 °C	01 0.5% of Reading																		
<table border="1"> <thead> <tr> <th>MATERIAL</th> <th>DIA "D"</th> <th>LENGTH "L"</th> </tr> </thead> <tbody> <tr> <td>01 SS 304</td> <td>00 6mm</td> <td rowspan="7">mm</td> </tr> <tr> <td>04 SS 316</td> <td>01 8mm</td> </tr> <tr> <td></td> <td>02 10mm</td> </tr> <tr> <td></td> <td>04 1/4"</td> </tr> <tr> <td></td> <td>05 3/8"</td> </tr> <tr> <td></td> <td>06 1/2"</td> </tr> <tr> <td></td> <td>07 Other</td> </tr> </tbody> </table>									MATERIAL	DIA "D"	LENGTH "L"	01 SS 304	00 6mm	mm	04 SS 316	01 8mm		02 10mm		04 1/4"		05 3/8"		06 1/2"		07 Other
MATERIAL	DIA "D"	LENGTH "L"																								
01 SS 304	00 6mm	mm																								
04 SS 316	01 8mm																									
	02 10mm																									
	04 1/4"																									
	05 3/8"																									
	06 1/2"																									
	07 Other																									
<table border="1"> <thead> <tr> <th>ADG</th> <th></th> <th></th> <th></th> <th></th> <th></th> <th></th> <th></th> <th></th> </tr> </thead> <tbody> <tr> <td>3004</td> <td></td> <td></td> <td></td> <td></td> <td></td> <td></td> <td></td> <td></td> </tr> </tbody> </table>									ADG									3004								
ADG																										
3004																										

An ISO 9001 : 2008 company

**Corporate & Mktg. Office :** 165, G.I.D.C. Makarpura, Vadodara 390 010. **Tel. :** +91 - 265 - 2643550, 2646021.  
**Fax :** + 91 - 265 - 2641054 ■ **E-mail :** marketing@altopindustries.com

**Factory :** 392 , 419-A, GIDC, Makarpura, Vadodara - 390 010.  
**Tel. :** 0265-2658480 ■ **E-mail :** support@altopindustries.com

**MUMBAI :** 5, Turakhia Park Shopping Complex, Building No. 1, Next to Corporation Bank, M. G. Road, Kandivali (W), MUMBAI - 400 067. ■ **Tel. :** (022) 2806 6032 / 2806 6036 ■ **Fax :** (022) 2862 9113  
**Email :** bombay@altopindustries.com

**ALTOP Industries Ltd.**  
 PROCESS CONTROL INSTRUMENTATION  
 CIN - U91110GJ1993PLC018831  
<http://www.altopindustries.com>