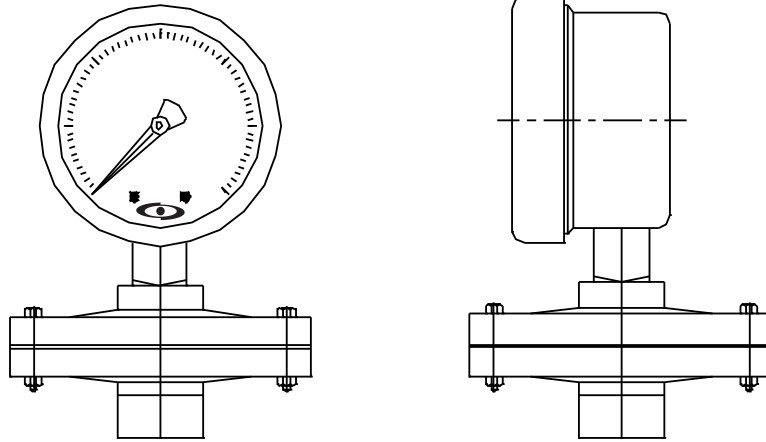


BOTTOM CONN. SCREWED DIAPHRAGM SEALED PRESSURE GAUGE APG 1004-A



Dial Size	Case & Bezel	Mounting	Range	Connection	Pressure Element	Element M.O.C.	Movement	Electrical Contact	Accessories	Accuracy
04 100 mm 05 150 mm	01 Cast Aluminium Screwed Type 02 A: SS 304 / B : 316 A: Bayonet Type / B: Press Type	01 Bottom Connection Direct Mounting	Please Refer Table	01 3/8" BSP 01A 3/8" NPT 02 1/2" BSP 02A 1/2" NPT. xx Others	06 Diaphragm		SS 304			01 1% 02 1.6% 03 2% 04 2.5%
	C1. Diaphragm Material A SS 316, B SS 316 With Teflon Coating C2. Lower Chamber: A SS 304 B SS 316, C PTFE Coating								01 Syphon Pig tail type 02 Syphon "U" type 03 Snubber 04 Gauge Saver 05 Gauge Cock 06 Needle Valves 07 Manifolds 08 Pointer Puller # Pls. Specify MOC & Thread.	
	01 Magnetic Contact Rated for 1 Amp. 230V AC 02 Slide Contact Rated for 200 mA. 230V AC □ 1 N/O □ 1N/C □ 2 N/O □ 2 N/C (Note : Only For 4" & 6" Size Gauges)									
APG 1004-A										

An ISO 9001 : 2008 company

Corporate & Mktg. Office : 165, G.I.D.C. Makarpura, Vadodara 390 010. **Tel. :** +91 - 265 - 2643550, 2646021.
Fax : + 91 - 265 - 2641054 ■ **E-mail :** marketing@altopindustries.com

Factory : 392 , 419-A, GIDC, Makarpura, Vadodara - 390 010.
Tel. : 0265-2658480 ■ **E-mail :** support@altopindustries.com

MUMBAI : 5, Turakhia Park Shopping Complex, Building No. 1, Next to Corporation Bank, M. G. Road, Kandivali (W), MUMBAI - 400 067. ■ **Tel. :** (022) 2806 6032 / 2806 6036 ■ **Fax :** (022) 2862 9113
Email : bombay@altopindustries.com



ALTOP Industries Ltd.
PROCESS CONTROL INSTRUMENTATION

CIN - U91110GJ1993PLC018831
<http://www.altopindustries.com>