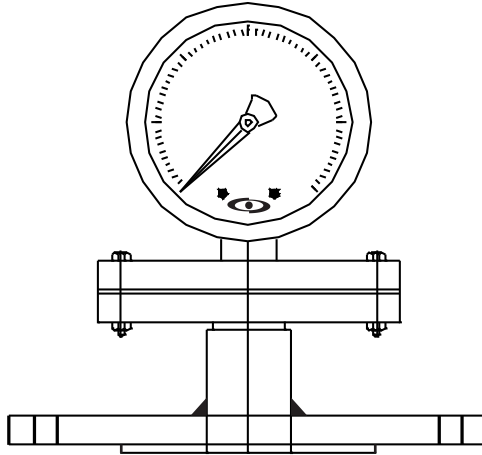


BOTTOM CONN. FLANGED DIAPHRAGM SEALED PRESSURE GAUGE APG 1004-B



| Dial Size | Case & Bezel | Mounting | Range | Connection | Pressure Element | Element M.O.C. | Movement | Electrical Contact | Accessories | Accuracy |
|------------------------|---|---|-------|--|------------------|----------------|----------|--------------------|--|---|
| 04 100 mm 05 150 mm | 01 Cast Aluminium 02 Screwed Type 03 SS 304 / 316 04 Bayonet Type / Press Type | 01 Bottom Connection Direct Mounting | | | | | | | | 01 1% 02 1.6% 03 2% 04 2.5% |
| | | | | 01 3/8" BSP 02 3/8" NPT 03 1/2" BSP 04 1/2" NPT. xx Others | | | | | | |
| | | | | | | 06 Diaphragm | SS 304 | | | |
| | | | | | | | | | C1. Diaphragm Material SS 316, SS 316 With Teflon Coating C2. Lower Chamber: SS 304 SS 316, PTFE Coating provided | 01 Syphon Pig tail type 02 Syphon "U" type 03 Snubber 04 Gauge Saver 05 Gauge Cock 06 Needle Valves 07 Manifolds 08 Pointer Puller # Pls. Specify MOC & Thread. |
| | | | | | | | | | 01 Magnetic Contact Rated for 1 Amp. 230V AC 02 Slide Contact Rated for 200 mA. 230V AC □ 1 N/O □ 1N/C □ 2 N/O □ 2 N/C (Note : Only For 4" & 6" Size Gauges) | |
| APG 1004-B | | | | | | | | | | |

Corporate & Mktg. Office : 165, G.I.D.C. Makarpura, Vadodara 390 010. **Tel. :** +91 - 265 - 2643550, 2646021.
Fax : + 91 - 265 - 2641054 **E-mail :** marketing@altopindustries.com

Factory : 392 , 419-A, GIDC, Makarpura, Vadodara - 390 010.
Tel. : 0265-2658480 **E-mail :** support@altopindustries.com

MUMBAI : 5, Turakhia Park Shopping Complex, Building No. 1, Next to Corporation Bank, M. G. Road, Kandivali (W), MUMBAI - 400 067. **Tel. :** (022) 2806 6032 / 2806 6036 **Fax :** (022) 2862 9113
Email : bombay@altopindustries.com



ALTOP Industries Ltd.
 PROCESS CONTROL INSTRUMENTATION

CIN - U91110GJ1993PLC018831
<http://www.altopindustries.com>