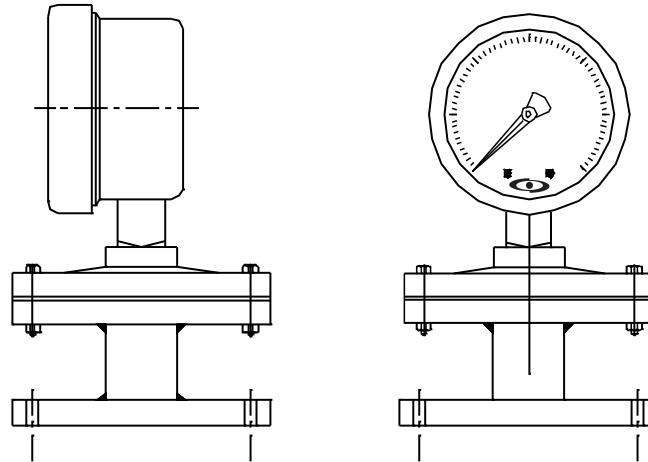


Bottom Conn. Diaphragm Sealed Flange I-Section Pressure Gauge APG 1004



Dial Size	Case & Bezel	Mounting	Range	Connection	Pressure Element	Element M.O.C.	Movement	Electrical Contact	Accessories	Accuracy
04 100 mm 05 150 mm	01 Cast Aluminium Screwed Type 02 A: SS 304 / B: 316 A: Bayonet Type / B: Press Type	01 Bottom Connection Direct Mounting	Please Refer Table							01 1% 02 1.6% 03 2% 04 2.5%
	Flange 1A 1" x 150 RF 2A 1.5" x 150 RF 2B 1.5" x 300 RF 09 Others	Material 01 SS 304 04 SS 316 12 CS X Others								
	06 Diaphragm					SS 304				
	C1. Diaphragm Material A SS 316, B SS 316 With Teflon Coating C2. Lower Chamber: A SS 304 B SS 316, C PTFE Lining								N/A	
	01 Magnetic Contact Rated for 1 Amp. 230V AC 02 Slide Contact Rated for 200 mA. 230V AC <input type="checkbox"/> 1 N/O <input type="checkbox"/> 1N/C <input type="checkbox"/> 2 N/O <input type="checkbox"/> 2 N/C (Note : Only For 4" & 6" Size Gauges)									
APG 1004										

An ISO 9001 : 2008 company

Corporate & Mktg. Office : 165, G.I.D.C. Makarpura, Vadodara 390 010. Tel. : +91 - 265 - 2643550, 2646021.
 ■ Fax : + 91 - 265 - 2641054 ■ E-mail : marketing@altopindustries.com

Factory : 392 , 419-A, GIDC, Makarpura, Vadodara - 390 010.
 ■ Tel. : 0265-2658480 ■ E-mail : support@altopindustries.com

MUMBAI : 5, Turakhia Park Shopping Complex, Building No. 1, Next to Corporation Bank, M. G. Road, Kandivali (W), MUMBAI - 400 067. ■ Tel. : (022) 2806 6032 / 2806 6036 ■ Fax : (022) 2862 9113
 ■ Email : bombay@altopindustries.com



ALTOP Industries Ltd.

PROCESS CONTROL INSTRUMENTATION

CIN - U91110GJ1993PLC018831

<http://www.altopindustries.com>