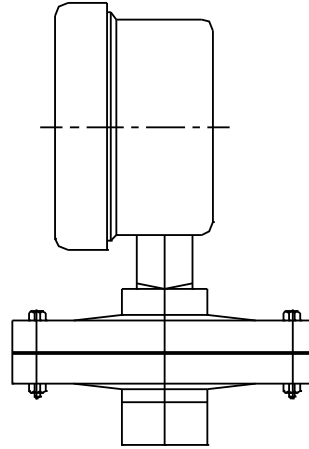
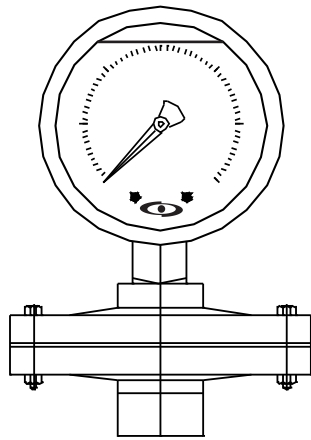


BOTTOM CONN. SCREWED DIAPHRAGM SEALED GLYCERINE FILLED PRESSURE GAUGE APG 1007-F



Dial Size	Case & Bezel	Mounting	Range	Connection	Pressure Element	Element M.O.C.	Movement	Accessories	Accuracy																				
04 100 mm 05 150 mm	01 Cast Aluminium Screwed Type 02 A: SS 304 / B: 316 A: Bayonet Type / B: Press Type	01 Bottom Connection Direct Mounting	Please Refer Table	01 3/8" BSP 01A 3/8" NPT 02 1/2" BSP 02A 1/2" NPT. xx Others	06 Diaphragm		SS 304	01 Syphon Pig tail type 02 Syphon "U" type 03 Snubber 04 Gauge Saver 05 Gauge Cock 06 Needle Valves 07 Manifolds 08 Pointer Puller # Pls. Specify MOC & Thread.	01 1% 02 1.6% 03 2% 04 2.5%																				
C1. Diaphragm Material A SS 316, B SS 316 With Teflon Coating C2. Lower Chamber: A SS 304 B SS 316, C PTFE Coating																													
<table border="1"> <tr> <td>APG</td> <td></td> <td></td> <td></td> <td></td> <td></td> <td></td> <td></td> <td></td> <td></td> </tr> <tr> <td>1007-F</td> <td></td> <td></td> <td></td> <td></td> <td></td> <td></td> <td></td> <td></td> <td></td> </tr> </table>										APG										1007-F									
APG																													
1007-F																													

An ISO 9001 : 2008 company

Corporate & Mktg. Office : 165, G.I.D.C. Makarpura, Vadodara 390 010. **Tel. :** +91 - 265 - 2643550, 2646021.
■ Fax : + 91 - 265 - 2641054 **■ E-mail :** marketing@altopindustries.com

Factory : 392 , 419-A, GIDC, Makarpura, Vadodara - 390 010.
■ Tel. : 0265-2658480 **■ E-mail :** support@altopindustries.com

MUMBAI : 5, Turakhia Park Shopping Complex, Building No. 1, Next to Corporation Bank, M. G. Road, Kandivali (W), MUMBAI - 400 067. **■ Tel. :** (022) 2806 6032 / 2806 6036 **■ Fax :** (022) 2862 9113
■ Email : bombay@altopindustries.com



ALTOP Industries Ltd.

PROCESS CONTROL INSTRUMENTATION

CIN - U91110GJ1993PLC018831

<http://www.altopindustries.com>