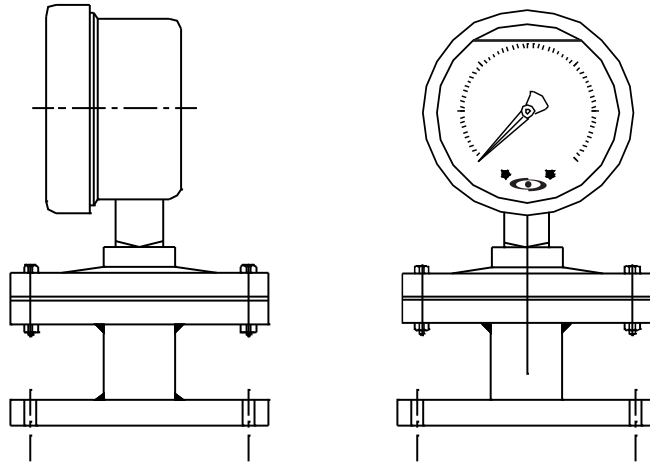


BOTTOM CONN. FLANGE I-SECTION DIAPHRAGM SEALED GLYCERINE FILLED PRESSURE GAUGE APG 1007-G



Dial Size	Case & Bezel	Mounting	Range	Connection	Pressure Element	Element M.O.C.	Movement	Accessories	Accuracy	
04 100 mm 05 150 mm	01 Cast Aluminium Screwed Type 02 A: SS 304 / B : 316 A : Bayonet Type / B: Press Type	01 Bottom Connection Direct Mounting	Please Refer Table	Flange 1A 1" x 150 RF 2A 1.5" x 150 RF 2B 1.5" x 300 RF 09 Others	Material 01 SS 304 04 SS 316 12 CS X Others	06 Diaphragm	C1. Diaphragm Material A SS 316, B SS 316 With Teflon Coating C2. Lower Chamber: A SS 304 B SS 316, C PTFE Lining	SS 304	N/A	01 1% 02 1.6% 03 2% 04 2.5%
APG 1007-G										

An ISO 9001 : 2008 company

Corporate & Mktg. Office : 165, G.I.D.C. Makarpura, Vadodara 390 010. **Tel. :** +91 - 265 - 2643550, 2646021.
Fax : + 91 - 265 - 2641054 **E-mail :** marketing@altopindustries.com

Factory : 392 , 419-A, GIDC, Makarpura, Vadodara - 390 010.
Tel. : 0265-2658480 **E-mail :** support@altopindustries.com

MUMBAI : 5, Turakhia Park Shopping Complex, Building No. 1, Next to Corporation Bank, M. G. Road, Kandivali (W), MUMBAI - 400 067. **Tel. :** (022) 2806 6032 / 2806 6036 **Fax :** (022) 2862 9113
Email : bombay@altopindustries.com



ALTOP Industries Ltd.
 PROCESS CONTROL INSTRUMENTATION

CIN - U91110GJ1993PLC018831
<http://www.altopindustries.com>