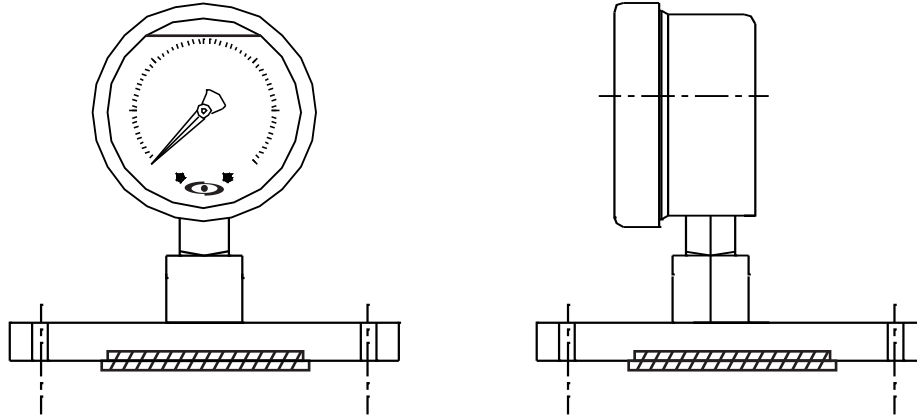


# BOTTOM CONN. FLUSH DIAPHRAGM FLANGED GLYCERINE FILLED PRESSURE GAUGE APG 1007-H



Dial Size	Case & Bezel	Mounting	Range	Connection	Pressure Element	Element M.O.C.	Movement	Accessories	Accuracy
04 100 mm 05 150 mm	01 Cast Aluminium Screwed Type 02 A: SS 304 / B : 316 A : Bayonet Type / B: Press Type	01 Bottom Connection Direct Mounting	Please Refer Table						
	Flange 1A 1" x 150 RF 2A 1.5" x 150 RF 2B 1.5" x 300 RF 09 Others	Material 01 SS 304 04 SS 316 12 CS X Others							
	06 Diaphragm								
	C1. Diaphragm Material A SS 316, B SS 316 With Teflon Coating						SS 304	N/A	01 1% 02 1.6% 03 2% 04 2.5%
APG 1007-H									

An ISO 9001 : 2008 company

**Corporate & Mktg. Office :** 165, G.I.D.C. Makarpura, Vadodara 390 010. **Tel. :** +91 - 265 - 2643550, 2646021.  
**Fax :** + 91 - 265 - 2641054 **E-mail :** marketing@altopindustries.com

**Factory :** 392 , 419-A, GIDC, Makarpura, Vadodara - 390 010.  
**Tel. :** 0265-2658480 **E-mail :** support@altopindustries.com

**MUMBAI :** 5, Turakhia Park Shopping Complex, Building No. 1, Next to Corporation Bank, M. G. Road, Kandivali (W), MUMBAI - 400 067. **Tel. :** (022) 2806 6032 / 2806 6036 **Fax :** (022) 2862 9113  
**Email :** bombay@altopindustries.com



**ALTOP Industries Ltd.**

PROCESS CONTROL INSTRUMENTATION

CIN - U91110GJ1993PLC018831

<http://www.altopindustries.com>