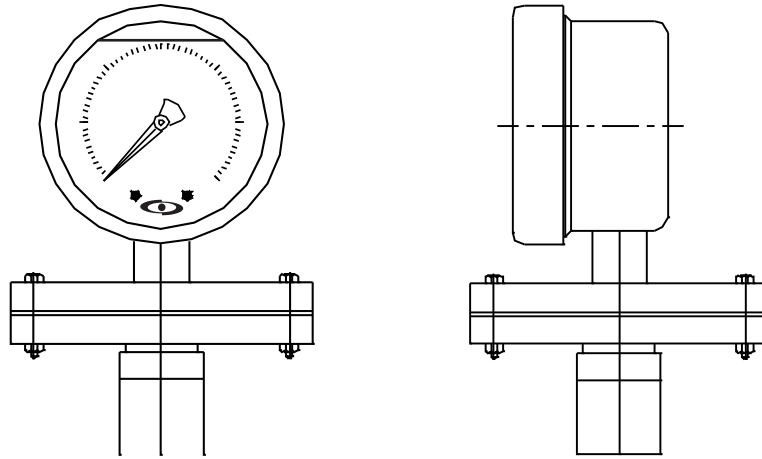


# BOTTOM CONN. SCHAFFER DIAPHRAGM GLYCERINE FILLED PRESSURE GAUGE APG 1009



Dial Size	Case & Bezel	Mounting	Range	Connection	Pressure Element	Element M.O.C.	Movement	Accessories	Accuracy
05 150 mm	01 Cast Aluminium Screwed Type	01 Bottom Connection Direct Mounting	Please Refer Table	01 3/8" BSP 01A 3/8" NPT 02 1/2" BSP 02A 1/2" NPT. xx Others	06 Diaphragm	C1. Diaphragm Material Brass SS 316, SS 316 With Teflon Coating C2. Lower Chamber: SS 304 SS 316, PTFE Coating / Tape Provided	SS 304	01 Syphon Pig tail type 02 Syphon "U" type 03 Snubber 04 Gauge Saver 05 Gauge Cock 06 Needle Valves 07 Manifolds 08 Pointer Puller # Pls. Specify MOC & Thread.	01 1% 02 1.6% 03 2% 04 2.5%
APG 1009									

An ISO 9001 : 2008 company

**Corporate & Mktg. Office :** 165, G.I.D.C. Makarpura, Vadodara 390 010. **Tel. :** +91 - 265 - 2643550, 2646021.  
**Fax :** + 91 - 265 - 2641054 **E-mail :** marketing@altopindustries.com

**Factory :** 392 , 419-A, GIDC, Makarpura, Vadodara - 390 010.  
**Tel. :** 0265-2658480 **E-mail :** support@altopindustries.com

**MUMBAI :** 5, Turakhia Park Shopping Complex, Building No. 1, Next to Corporation Bank, M. G. Road, Kandivali (W), MUMBAI - 400 067. **Tel. :** (022) 2806 6032 / 2806 6036 **Fax :** (022) 2862 9113  
**Email :** bombay@altopindustries.com



**ALTOP Industries Ltd.**  
 PROCESS CONTROL INSTRUMENTATION

CIN - U91110GJ1993PLC018831  
<http://www.altopindustries.com>