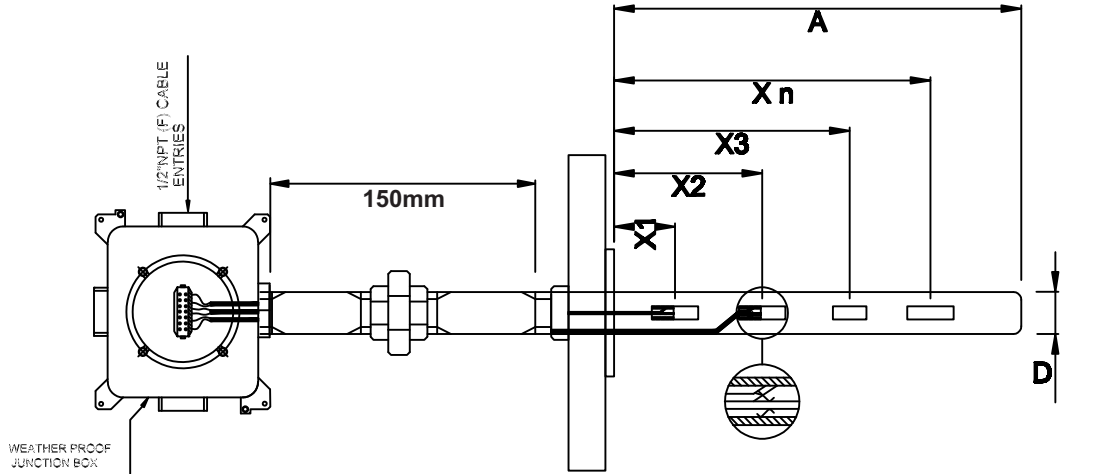


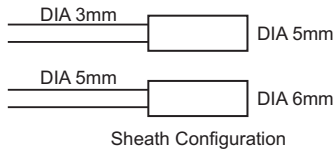
# MULTIPOINT RTD WEATHER PROOF ART 1001



Head	Cable Gland	Lag Extension	"P" Process Connection Size	RTD	Accuracy
------	-------------	---------------	-----------------------------	-----	----------

Material	No. of Entries	Cable Entries Size	Entries Plugged
A C. Alu. WP	01	1/2" NPT	
D SS 304 WP	02	3/4" ET	
G SS 316 WP	xx	Others	
1 Single Entry			
2 Dual Entry			
1			
x None			

- O None
- A W. P. Single Compression Brass Ni Plated
- B W. P. Double Compression Brass Ni Plated
- X Others



- 1 CS Nipple Union Nipple 150mm
- 2 SS 304 Nipple Union Nipple 150mm
- 3 SS 316 Nipple Union Nipple 150mm
- x None

- DIN 43760/IEC 751
- A Class A
  - B Class B

MOC				SIZE	
01 SS 304	05 SS 316 L	1A	1" ASA 150#		
02 SS 304 L	13 Inconel 600	1B	1" ASA 300#		
03 SS 310	xx Others	2A	1 1/2" ASA 150#		
04 SS 316		2B	1 1/2" ASA 300#		
		2C	1 1/2" ASA 600#		
		09	Others		
FINISH					
				A	Serrated
				B	Smooth

RTD Type	No. of Elements	Extension Configuration	Insulation	Sheath MOC	Sheath DIA	Sheath Length	Protection Sheath "D"	Protection Sheath Length "A"
PT-100 X Others	S Simplex D Duplex	A 2 Wire B 3 Wire C 4 Wire	01 Mineral Insulated	02 SS 316 xx Others	3 X 5 mm 5 X 6 mm	X1 _____mm X2 _____mm X3 _____mm Xn _____mm	1 1/2" SCH-40 2 3/4" SCH-40 3 1" SCH-40 X Others	_____ mm

ART  
1001

**Corporate & Mktg. Office :** 165, G.I.D.C. Makarpura, Vadodara 390 010. **Tel. :** +91 - 265 - 2643550, 2646021.  
**Fax :** + 91 - 265 - 2641054 **E-mail :** marketing@altopindustries.com

**Factory :** 392 , 419-A, GIDC, Makarpura, Vadodara - 390 010.  
**Tel. :** 0265-2658480 **E-mail :** support@altopindustries.com

**MUMBAI :** 5, Turakhia Park, Shopping Complex, Building No. 1, Next to Corporation Bank, M. G. Road, Kandivali (W) MUMBAI - 400 067. **Tel. :** (022) 2806 6032 / 2806 6036 **Fax :** (022) 2862 9113  
**Email :** bombay@altopindustries.com



**ALTOP Industries Ltd.**  
 PROCESS CONTROL INSTRUMENTATION

CIN - U91110GJ1993PLC018831  
<http://www.altopindustries.com>