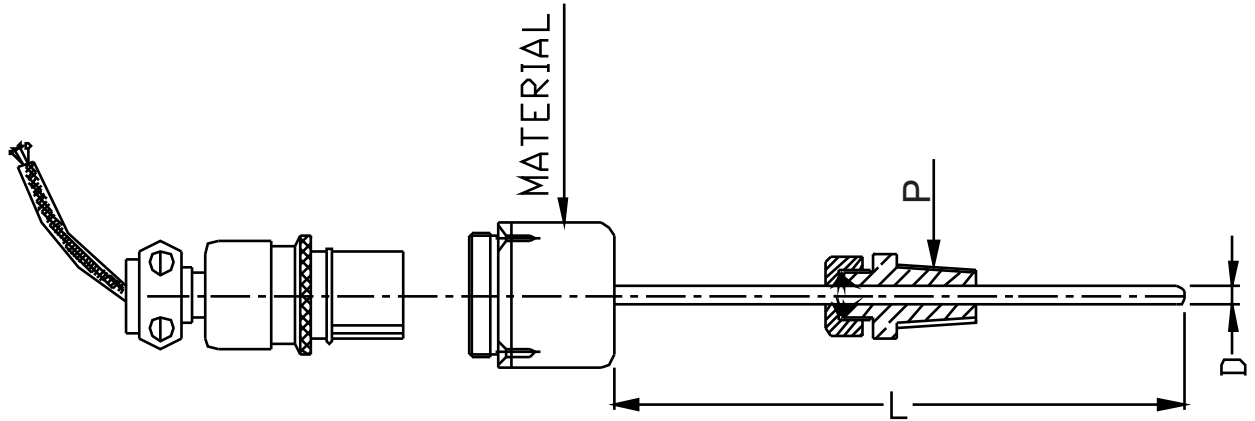


RTD QUICK CONNECT TYPE ART 1002



RTD Type	No. of Elements	Extension Configuration	Insulation	Sheath MOC	"D" Sheath Dia	Connector	"p" Process Connection	"L" Sheath Length mm	Accuracy
PT-100 X Others									
S Simplex D Duplex									
2 Wire 3 Wire 4 Wire									
01 Mineral Insulated									
02 SS316 x Others									
1 8 mm X Others									
Round Shell Connection Outer Shell A Brass B SS304									
O None 02 1/2" BSP 02A 1/2" NPT X Others									
_____ mm									

DIN 43760/IEC 751
 A Class A
 B Class B

ART 1002									
----------	--	--	--	--	--	--	--	--	--

An ISO 9001 : 2008 company

Corporate & Mktg. Office : 165, G.I.D.C. Makarpura, Vadodara 390 010. **Tel. :** +91 - 265 - 2643550, 2646021.
Fax : + 91 - 265 - 2641054 **E-mail :** marketing@altopindustries.com

Factory : 392 , 419-A, GIDC, Makarpura, Vadodara - 390 010.
Tel. : 0265-2658480 **E-mail :** support@altopindustries.com

MUMBAI : 5, Turakhia Park, Shopping Complex, Building No. 1, Next to Corporation Bank, M. G. Road, Kandivali (W) MUMBAI - 400 067. **Tel. :** (022) 2806 6032 / 2806 6036 **Fax :** (022) 2862 9113
Email : bombay@altopindustries.com

ALTOP Industries Ltd.
 PROCESS CONTROL INSTRUMENTATION
 CIN - U91110GJ1993PLC018831
<http://www.altopindustries.com>