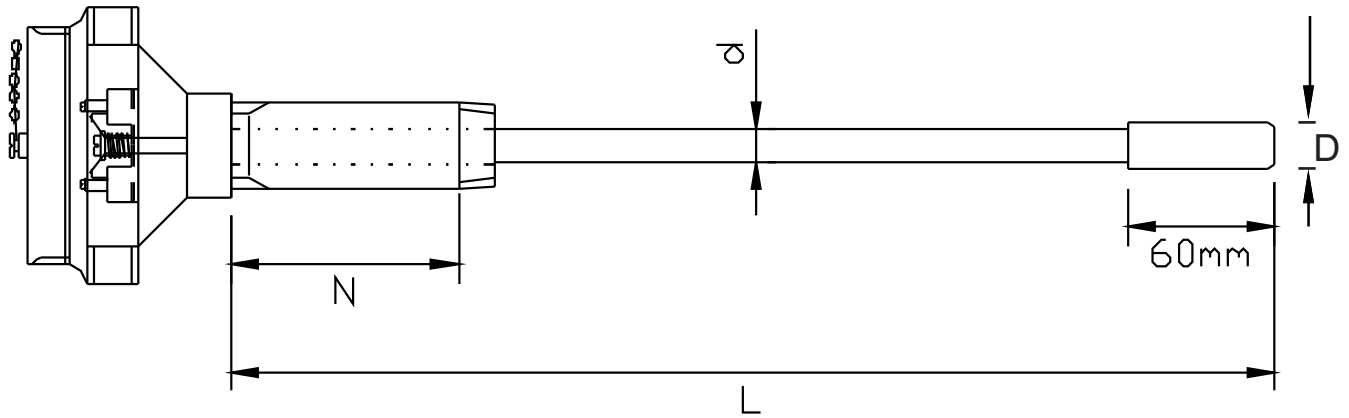


RTD WITH FLAME PROOF ENCLOSURE & NIPPLE ART 1003-D



Head				Cable Gland	"N" Lag Extension	"P" Process Connection Size	RTD	Certification	Accuracy
Material	No. of Entries	Cable Entries Size	Entries Plugged						
B C. Alu. FLP-I / IIA / IIB	01	3/4" ET							
C C. Alu. FLP-IIC	02	1/2" NPT							
x Others	xx	Others							
1 Single Entry	1								
2 Dual Entry	x	None							
O None C FLP-1/IIA/IIB Double Compression Brass Ni Plated D FLP-IIC Double Compression Brass Ni Plated X Others								C1 CMRI C2 CCOE C3 BIS C4 DIGIFASLI C5 ATEX C6 DGMS	
1 CS Nipple Length _____ mmm 2 SS 304 Nipple Length _____ mmm 3 SS 316 Nipple Length _____ mmm									
02 1/2" BSP 02A 1/2" NPT									DIN 43760/IEC 751 A Class A B Class B

RTD Type	No. of Elements	Extension Configuration	Insulation	Sheath MOC	Sheath DIA	"L" Sheath Length
PT-100 X Others	S Simplex D Duplex	A 2 Wire B 3 Wire C 4 Wire	01 Mineral Insulated	04 SS 316 xx Others	1 Sheath of 5 mm OD with tip of 6 mm OD x 60 mm Length 2 Sheath of 6 mm OD with tip of 8 mm OD x 60 mm Length. X Others	_____mm

ART 1003-D

An ISO 9001 : 2008 company

Corporate & Mktg. Office : 165, G.I.D.C. Makarpura, Vadodara 390 010. **Tel.** : +91 - 265 - 2643550, 2646021.
Fax : + 91 - 265 - 2641054 **E-mail** : marketing@altopindustries.com

Factory : 392 , 419-A, GIDC, Makarpura, Vadodara - 390 010.
Tel. : 0265-2658480 **E-mail** : support@altopindustries.com

MUMBAI : 5, Turakhia Park, Shopping Complex, Building No. 1, Next to Corporation Bank, M. G. Road, Kandivali (W) MUMBAI - 400 067. **Tel.** : (022) 2806 6032 / 2806 6036 **Fax** : (022) 2862 9113
Email : bombay@altopindustries.com

ALTOP Industries Ltd.
 PROCESS CONTROL INSTRUMENTATION
 CIN - U91110GJ1993PLC018831
<http://www.altopindustries.com>