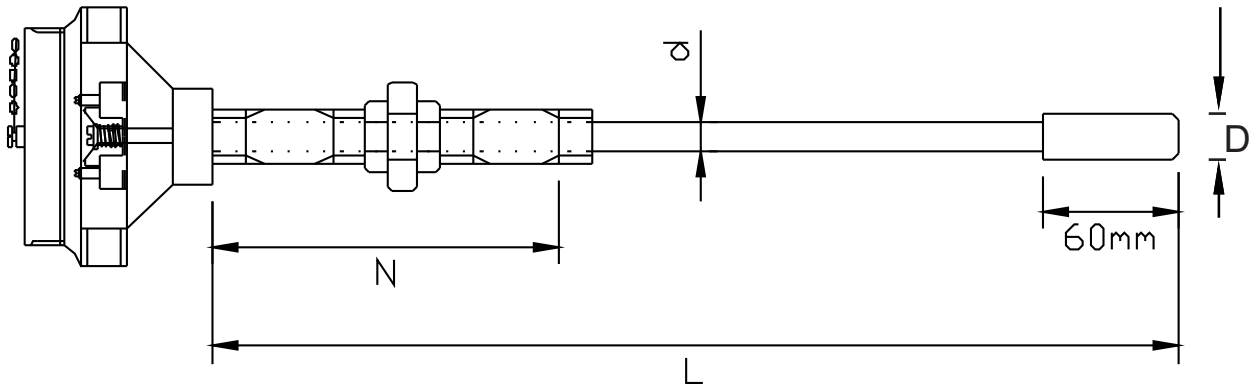


RTD WITH FLAME PROOF ENCLOSURE & NIPPLE - UNION - NIPPLE 1003-E



Head	Cable Gland	"N" Lag Extension	"P" Process Connection Size	RTD	Certification	Accuracy																																
<table border="1"> <thead> <tr> <th>Material</th> <th>No. of Entries</th> <th>Cable Entries Size</th> <th>Entries Plugged</th> </tr> </thead> <tbody> <tr> <td>B C. Alu. FLP-I / IIA / IIB</td> <td>01</td> <td>3/4" ET</td> <td></td> </tr> <tr> <td>C C. Alu. FLP-IIC</td> <td>02</td> <td>1/2" NPT</td> <td></td> </tr> <tr> <td>E SS 304 FLP-I / IIA / IIB</td> <td></td> <td></td> <td></td> </tr> <tr> <td>H SS 316 FLP-I / IIA / IIB</td> <td></td> <td></td> <td></td> </tr> <tr> <td>xx Others</td> <td></td> <td></td> <td></td> </tr> <tr> <td>1 Single Entry</td> <td>1</td> <td></td> <td></td> </tr> <tr> <td>2 Dual Entry</td> <td>x</td> <td>None</td> <td></td> </tr> </tbody> </table> <p>O None C FLP-1/IIA/IIB Double Compression Brass Ni Plated D FLP-IIC Double Compression Brass Ni Plated X others</p> <p>1 CS Nipple Union Nipple 150mm 2 SS 304 Nipple Union Nipple 150mm 3 SS 316 Nipple Union Nipple 150mm</p> <p>02 1/2" BSP 02A 1/2" NPT</p>	Material	No. of Entries	Cable Entries Size	Entries Plugged	B C. Alu. FLP-I / IIA / IIB	01	3/4" ET		C C. Alu. FLP-IIC	02	1/2" NPT		E SS 304 FLP-I / IIA / IIB				H SS 316 FLP-I / IIA / IIB				xx Others				1 Single Entry	1			2 Dual Entry	x	None						<p>C1 CMRI C2 CCOE C3 BIS C4 DIGIFASLI C5 ATEX C6 DGMS</p>	<p>DIN 43760/IEC 751 A Class A B Class B</p>
Material	No. of Entries	Cable Entries Size	Entries Plugged																																			
B C. Alu. FLP-I / IIA / IIB	01	3/4" ET																																				
C C. Alu. FLP-IIC	02	1/2" NPT																																				
E SS 304 FLP-I / IIA / IIB																																						
H SS 316 FLP-I / IIA / IIB																																						
xx Others																																						
1 Single Entry	1																																					
2 Dual Entry	x	None																																				

RTD Type	No. of Elements	Extension Configuration	Insulation	Sheath MOC	Sheath DIA	"L" Sheath Length
PT-100 X Others	S Simplex D Duplex	A 2 Wire B 3 Wire C 4 Wire	01 Mineral Insulated	04 SS 316 xx Others	1 Sheath of 5 mm OD with tip of 6 mm OD x 60 mm Length 2 Sheath of 6 mm OD with tip of 8 mm OD x 60 mm Length. X Others	_____mm

ART 1003-E

An ISO 9001 : 2008 company

Corporate & Mktg. Office : 165, G.I.D.C. Makarpura, Vadodara 390 010. Tel. : +91 - 265 - 2643550, 2646021.
 ■ Fax : + 91 - 265 - 2641054 ■ E-mail : marketing@altopindustries.com

Factory : 392 , 419-A, GIDC, Makarpura, Vadodara - 390 010.
 ■ Tel. : 0265-2658480 ■ E-mail : support@altopindustries.com

MUMBAI : 5, Turakhia Park, Shopping Complex, Building No. 1, Next to Corporation Bank, M. G. Road, Kandivali (W) MUMBAI - 400 067. ■ Tel. : (022) 2806 6032 / 2806 6036 ■ Fax : (022) 2862 9113
 ■ Email : bombay@altopindustries.com

ALTOP Industries Ltd.
 PROCESS CONTROL INSTRUMENTATION
 CIN - U91110GJ1993PLC018831
<http://www.altopindustries.com>