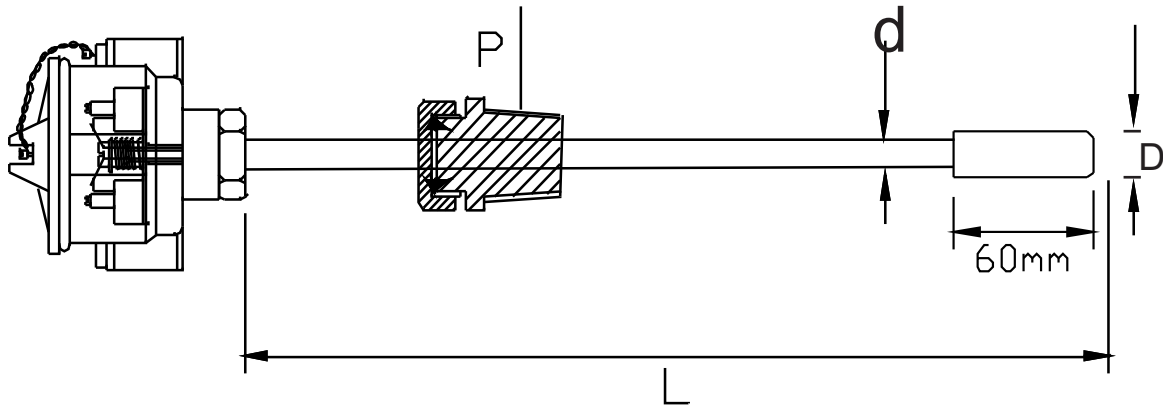


# RTD WITH WEATHER PROOF ENCLOSURE ART 1003



Head	Cable Gland	"P" Process Connection Size	Sensor	Accuracy																																		
<table border="1"> <thead> <tr> <th>Material</th> <th>No. of Entries</th> <th>Cable Entries Size</th> <th>Entries Plugged</th> </tr> </thead> <tbody> <tr> <td>A C. Alu. WP</td> <td>01</td> <td>3/4" ET</td> <td></td> </tr> <tr> <td>D SS 304 WP</td> <td>02</td> <td>1/2" NPT</td> <td></td> </tr> <tr> <td>G SS 316 WP</td> <td>xx</td> <td>Others</td> <td></td> </tr> <tr> <td colspan="2">1 Single Entry</td> <td>1</td> <td></td> </tr> <tr> <td colspan="2">2 Dual Entry</td> <td>x</td> <td>None</td> </tr> </tbody> </table> <table border="1"> <tbody> <tr> <td>O None</td> </tr> <tr> <td>A W. P. Single Compression Brass Ni Plated</td> </tr> <tr> <td>B W. P. Double Compression Brass Ni Plated</td> </tr> <tr> <td>X Others</td> </tr> </tbody> </table> <table border="1"> <tbody> <tr> <td>02 1/2" BSP</td> </tr> <tr> <td>02A 1/2" NPT</td> </tr> <tr> <td>X Others</td> </tr> </tbody> </table>	Material	No. of Entries	Cable Entries Size	Entries Plugged	A C. Alu. WP	01	3/4" ET		D SS 304 WP	02	1/2" NPT		G SS 316 WP	xx	Others		1 Single Entry		1		2 Dual Entry		x	None	O None	A W. P. Single Compression Brass Ni Plated	B W. P. Double Compression Brass Ni Plated	X Others	02 1/2" BSP	02A 1/2" NPT	X Others				<table border="1"> <tbody> <tr> <td>DIN 43760/IEC 751</td> </tr> <tr> <td>A Class A</td> </tr> <tr> <td>B Class B</td> </tr> </tbody> </table>	DIN 43760/IEC 751	A Class A	B Class B
Material	No. of Entries	Cable Entries Size	Entries Plugged																																			
A C. Alu. WP	01	3/4" ET																																				
D SS 304 WP	02	1/2" NPT																																				
G SS 316 WP	xx	Others																																				
1 Single Entry		1																																				
2 Dual Entry		x	None																																			
O None																																						
A W. P. Single Compression Brass Ni Plated																																						
B W. P. Double Compression Brass Ni Plated																																						
X Others																																						
02 1/2" BSP																																						
02A 1/2" NPT																																						
X Others																																						
DIN 43760/IEC 751																																						
A Class A																																						
B Class B																																						

RTD Type	No. of Elements	Extension Configuration	Insulation	Sheath MOC	Sheath DIA	"L" Sheath Length
PT-100 X Others	S Simplex D Duplex	A 2 Wire B 3 Wire C 4 Wire	01 Mineral Insulated	04 SS 316 xx Others	1 Sheath of 5 mm OD with tip of 6 mm OD x 60 mm Length  2 Sheath of 6 mm OD with tip of 8 mm OD x 60 mm Length.  X Others	_____mm

ART 1003

An ISO 9001 : 2008 company

**Corporate & Mktg. Office :** 165, G.I.D.C. Makarpura, Vadodara 390 010. **Tel. :** +91 - 265 - 2643550, 2646021.  
**Fax :** + 91 - 265 - 2641054 **E-mail :** marketing@altopindustries.com

**Factory :** 392 , 419-A, GIDC, Makarpura, Vadodara - 390 010.  
**Tel. :** 0265-2658480 **E-mail :** support@altopindustries.com

**MUMBAI :** 5, Turakhia Park, Shopping Complex, Building No. 1, Next to Corporation Bank, M. G. Road, Kandivali (W) MUMBAI - 400 067. **Tel. :** (022) 2806 6032 / 2806 6036 **Fax :** (022) 2862 9113  
**Email :** bombay@altopindustries.com



**ALTOP Industries Ltd.**

PROCESS CONTROL INSTRUMENTATION

CIN - U91110GJ1993PLC018831

<http://www.altopindustries.com>