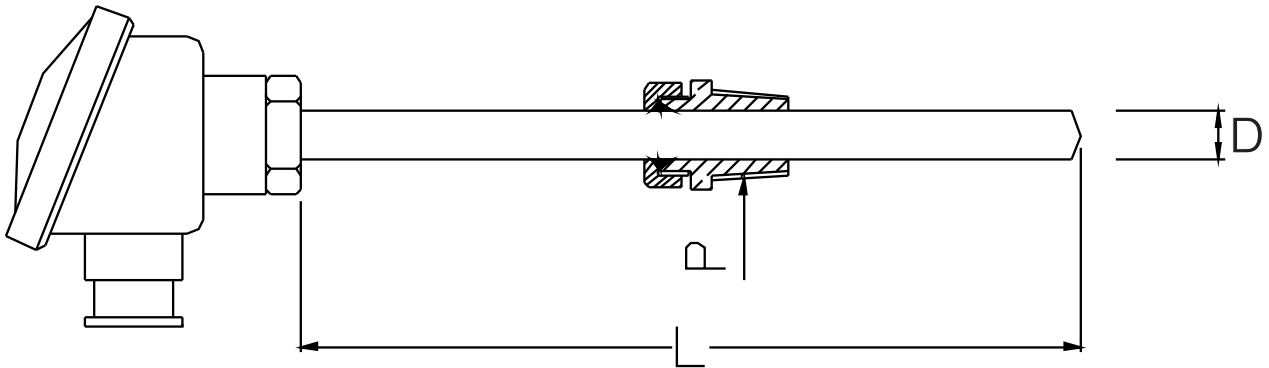


# RTD WITH WEATHER PROOF SMALL ENCLOSURE ART 1004



Head	Cable Gland	"P" Process Connection Size	RTD	Accuracy											
<table border="1"> <thead> <tr> <th>Material</th> <th>No. of Entries</th> <th>Cable Entries Size</th> </tr> </thead> <tbody> <tr> <td>A C. Alu. WP</td> <td rowspan="3">01</td> <td rowspan="3">3/4" ET</td> </tr> <tr> <td>D SS 304 WP</td> </tr> <tr> <td>G SS 316 WP</td> </tr> <tr> <td colspan="3">1 Single Entry</td> </tr> </tbody> </table>	Material	No. of Entries	Cable Entries Size	A C. Alu. WP	01	3/4" ET	D SS 304 WP	G SS 316 WP	1 Single Entry						
Material	No. of Entries	Cable Entries Size													
A C. Alu. WP	01	3/4" ET													
D SS 304 WP															
G SS 316 WP															
1 Single Entry															
A W. P. Single Compression Brass Ni Plated															
<table border="1"> <tbody> <tr> <td>02 1/2" BSP</td> <td>03 3/4" BSP</td> </tr> <tr> <td>02A 1/2" NPT</td> <td>03A 3/4" NPT</td> </tr> <tr> <td colspan="2">09. Others</td> </tr> </tbody> </table>		02 1/2" BSP	03 3/4" BSP	02A 1/2" NPT	03A 3/4" NPT	09. Others									
02 1/2" BSP	03 3/4" BSP														
02A 1/2" NPT	03A 3/4" NPT														
09. Others															
				DIN 43760/IEC 751 A Class A B Class B											

RTD Type	No. of Elements	Extension Configuration	Insulation	Sheath MOC	"D" Sheath DIA	"L" Sheath Length
PT-100 X Others	S Simplex D Duplex	A 2 Wire B 3 Wire C 4 Wire	01 Beaded with MgO Filling.	01 SS304 02 SS316	1 6 mm 2 8 mm X ____mm	____mm

ART  
1004

**Corporate & Mktg. Office :** 165, G.I.D.C. Makarpura, Vadodara 390 010. **Tel. :** +91 - 265 - 2643550, 2646021.  
**Fax :** + 91 - 265 - 2641054 **E-mail :** marketing@altopindustries.com

**Factory :** 392 , 419-A, GIDC, Makarpura, Vadodara - 390 010.  
**Tel. :** 0265-2658480 **E-mail :** support@altopindustries.com

**MUMBAI :** 5, Turakhia Park, Shopping Complex, Building No. 1, Next to Corporation Bank, M. G. Road, Kandivali (W) MUMBAI - 400 067. **Tel. :** (022) 2806 6032 / 2806 6036 **Fax :** (022) 2862 9113  
**Email :** bombay@altopindustries.com



**ALTOP Industries Ltd.**

PROCESS CONTROL INSTRUMENTATION

CIN - U91110GJ1993PLC018831

<http://www.altopindustries.com>