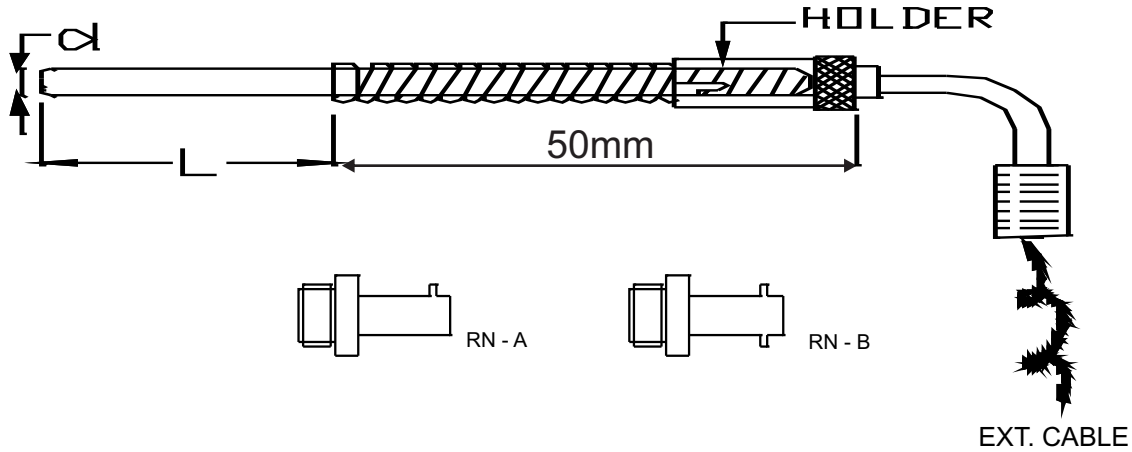


BAYONET RTD RIGHT ANGLE MOUNTING ART 1012-A



RTD	No. of Elements	Extension Config.	Insulation	Sheath MOC	Sheath Dia	Tip Length "L" mm	Cable	Cable Length	Holder	Receptacle Nut	Accuracy
PT-100											
S Simplex D Duplex											
2 Wire 3 Wire 4 Wire											
02 Beaded										O None 04 1/8" BSP 05 1/4" BSP 01 3/8" BSP X Others	
04 SS316											
5 mm x others											
___ mm										A Single Slot B Double Slot	
TFS Teflon / Fibre / SS TT Teflon / Teflon X Others											
___ Mtrs.											DIN 43760/IEC 751 A Class A B Class B
ART 1012-A											

An ISO 9001 : 2008 company

Corporate & Mktg. Office : 165, G.I.D.C. Makarpura, Vadodara 390 010. Tel. : +91 - 265 - 2643550, 2646021.
 ■ Fax : + 91 - 265 - 2641054 ■ E-mail : marketing@altopindustries.com

Factory : 392 , 419-A, GIDC, Makarpura, Vadodara - 390 010.
 ■ Tel. : 0265-2658480 ■ E-mail : support@altopindustries.com

MUMBAI : 5, Turakhia Park, Shopping Complex, Building No. 1, Next to Corporation Bank, M. G. Road, Kandivali (W) MUMBAI - 400 067. ■ Tel. : (022) 2806 6032 / 2806 6036 ■ Fax : (022) 2862 9113
 ■ Email : bombay@altopindustries.com



ALTOP Industries Ltd.

PROCESS CONTROL INSTRUMENTATION

CIN - U91110GJ1993PLC018831

<http://www.altopindustries.com>