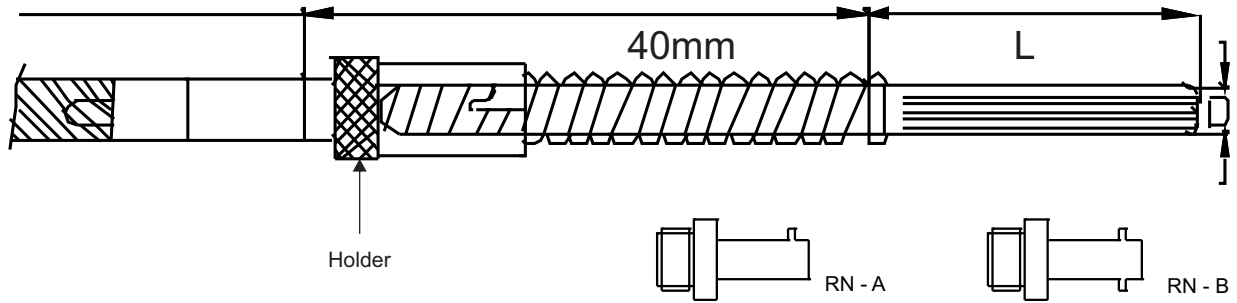


# RTD BAYONET TYPE ART 1012



RTD	No. of Elements	Extension Config.	Insulation	Sheath MOC	Sheath Dia	TIP Length "L" mm	Cable	Cable Length	Holder	Receptacle Nut	Accuracy
PT-100											
S Simplex D Duplex											
2 Wire 3 Wire 4 Wire											
02 Beaded										O None 04 1/8" BSP 05 1/4" BSP 01 3/8" BSP X Others	
04 SS316											
5 mm x others											
___ mm										A Single Slot B Double Slot	
TFS Teflon / Fibre / SS TT Teflon / Teflon X Others											
___ Mtrs.											DIN 43760/IEC 751 A Class A B Class B
<b>ART 1012</b>											

An ISO 9001 : 2008 company

**Corporate & Mktg. Office :** 165, G.I.D.C. Makarpura, Vadodara 390 010. **Tel. :** +91 - 265 - 2643550, 2646021.  
**Fax :** + 91 - 265 - 2641054 **E-mail :** marketing@altopindustries.com

**Factory :** 392 , 419-A, GIDC, Makarpura, Vadodara - 390 010.  
**Tel. :** 0265-2658480 **E-mail :** support@altopindustries.com

**MUMBAI :** 5, Turakhia Park, Shopping Complex, Building No. 1, Next to Corporation Bank, M. G. Road, Kandivali (W) MUMBAI - 400 067. **Tel. :** (022) 2806 6032 / 2806 6036 **Fax :** (022) 2862 9113  
**Email :** bombay@altopindustries.com



**ALTOP Industries Ltd.**  
 PROCESS CONTROL INSTRUMENTATION

CIN - U91110GJ1993PLC018831  
<http://www.altopindustries.com>