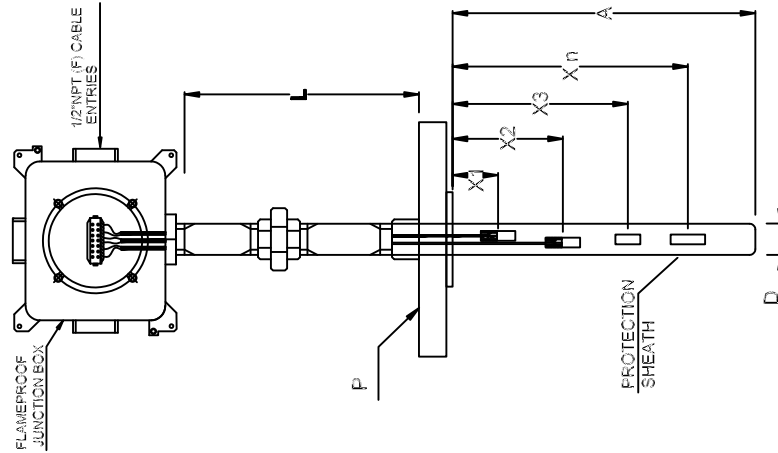


MULTIPOINT THERMOCOUPLE FLAME PROOF ATC 1001-A



Head				Cable Gland	"L" Lag Extension	"P" Process Connection Size	Thermocouple	Accuracy
Material	No. of Entries	Cable Entries Size	Entries Plugged					
B C. Alu. FLP-I / IIA / IIB	01	1/2" BSP (F)						
C C. Alu. FLP-IIC	02	1/2" NPT (F)						
X Others	xx	Others						
1 Please Specify			x	None				
				1				

O None	1 CS Nipple Union Nipple	150mm
C FLP-1/IIA/IIB Double Compression Brass Ni Plated	2 SS 304 Nipple Union Nipple	150mm
D FLP-IIC Double Compression Brass Ni Plated	3 SS 316 Nipple Union Nipple	150mm
G FLP-1/IIA/IIB Double Compression SS 304		
X Others		

MOC				SIZE	
01	SS 304	05	SS 316 L	1A	1" ASA 150#
02	SS 304 L	13	Inconel 600	1B	1" ASA 300#
03	SS 310	xx	Others	2A	1 1/2" ASA 150#
04	SS 316			2B	1 1/2" ASA 300#
				2C	1 1/2" ASA 600#
				09	Others

FINISH	
A	Serrated
B	Smooth

ANSI MC 96.1								
A Standard								
B Special								

Thermocouple Type	No. of Elements	Type of Junction	Insulation	Sheath MOC	Sheath DIA	Sheath Length mm	Protection Sheath	Protection Sheath Length "A"
J	S Single	0G	01 Mineral Insulated	03 SS310	1.5mm	_____ X1	1 1/2" SCH-40	
K	D Double	Grounded		04 SS316	3 mm	_____ X2	2 3/4" SCH-40	
T		UG		06 SS321	6 mm	_____ X3	3 1" SCH-40	
E		Ungrounded		13 Inconel 600	x others	_____ XN	X Others	
N								

ATC 1001-A

An ISO 9001 : 2008 company

Corporate & Mktg. Office : 165, G.I.D.C. Makarpura, Vadodara 390 010. **Tel. :** +91 - 265 - 2643550, 2646021.
Fax : + 91 - 265 - 2641054 ■ **E-mail :** marketing@altopindustries.com

Factory : 392 , 419-A, GIDC, Makarpura, Vadodara - 390 010.
Tel. : 0265-2658480 ■ **E-mail :** support@altopindustries.com

MUMBAI : 5, Turakhia Park, Shopping Complex, Building No. 1, Next to Corporation Bank, M. G. Road, Kandivali (W) MUMBAI - 400 067. ■ **Tel. :** (022) 2806 6032 / 2806 6036 ■ **Fax :** (022) 2862 9113
Email : bombay@altopindustries.com

ALTOP Industries Ltd.
 PROCESS CONTROL INSTRUMENTATION
 CIN - U91110GJ1993PLC018831
<http://www.altopindustries.com>