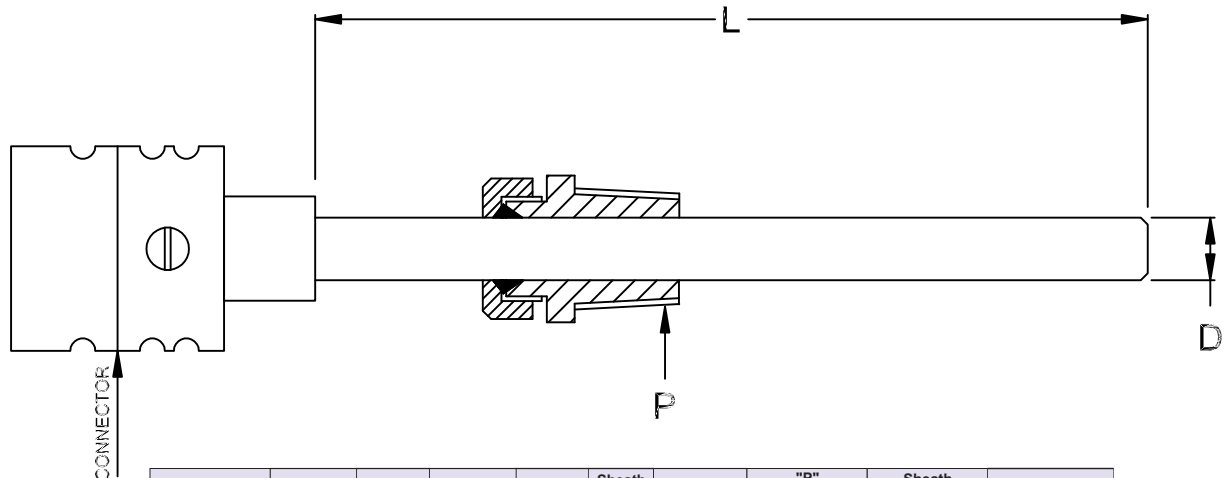


THERMOCOUPLE with MALE FEMALE PIN ATC 1002



Thermocouple Type	No. of Elements	Type of Junction	Insulation	Sheath MOC	Sheath Dia "D"	Connector	"P" Process Connection	Sheath Length mm	Accuracy
J, K, T, E, N	S Single D Double								
0G Grounded UG Ungrounded									
01 Mineral Insulated									
03 SS 310 04 SS 316 06 SS 321 13 Inconel 600									
1.5 mm 3.0 mm xx Others									
A Mini (Flat Pin) B Big (Round Pin)									
04 1/8" BSP 04A 1/8" NPT 05 1/4" BSP	05A 1/4" NPT xx None								
____ mm									ANSI MC 96.1 A Standard B Special

ATC
1002

Corporate & Mktg. Office : 165, G.I.D.C. Makarpura, Vadodara 390 010. **Tel.** : +91 - 265 - 2643550, 2646021.
Fax : + 91 - 265 - 2641054 ■ E-mail : marketing@altopindustries.com

Factory : 392 , 419-A, GIDC, Makarpura, Vadodara - 390 010.
Tel. : 0265-2658480 ■ E-mail : support@altopindustries.com

MUMBAI : 5, Turakhia Park, Shopping Complex, Building No. 1, Next to Corporation Bank, M. G. Road, Kandivali (W) MUMBAI - 400 067. ■ **Tel.** : (022) 2806 6032 / 2806 6036 ■ **Fax** : (022) 2862 9113
Email : bombay@altopindustries.com



ALTOP Industries Ltd.
 PROCESS CONTROL INSTRUMENTATION

CIN - U91110GJ1993PLC018831

<http://www.altopindustries.com>