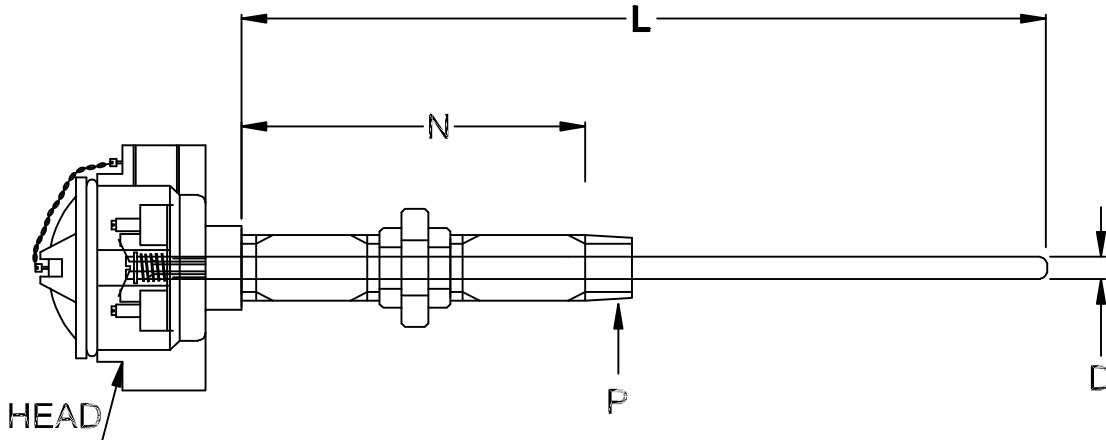


# THERMOCOUPLE WITH WEATHER PROOF ENCLOSURE AND NUN ATC 1003-B



Head	Cable Gland	"N" Lag Extension	Nipple Connection Size "P"	Thermocouple	Accuracy												
<table border="1"> <thead> <tr> <th>Material</th> <th>No. of Entries</th> <th>Cable Entries Size</th> </tr> </thead> <tbody> <tr> <td>A C. Alu. WP</td> <td>01</td> <td>3/4" ET</td> </tr> <tr> <td>D SS 304 WP</td> <td>02</td> <td>1/2" NPT</td> </tr> <tr> <td>G SS 316 WP</td> <td></td> <td></td> </tr> </tbody> </table> <p>1 Single Entry 2 Dual Entry</p>	Material	No. of Entries	Cable Entries Size	A C. Alu. WP	01	3/4" ET	D SS 304 WP	02	1/2" NPT	G SS 316 WP							
Material	No. of Entries	Cable Entries Size															
A C. Alu. WP	01	3/4" ET															
D SS 304 WP	02	1/2" NPT															
G SS 316 WP																	
<p>O None A W. P. Single Compression Brass Ni Plated B W. P. Double Compression Brass Ni Plated X Others</p>																	
<p>1 CS Nipple Union Nipple 150mm 2 SS 304 Nipple Union Nipple 150mm 3 SS 316 Nipple Union Nipple 150mm</p>																	
<p>02 1/2" BSP 02A 1/2" NPT</p>																	
					ANSI MC 96.1 A Standard B Special												

Thermocouple Type	No. of Elements	Type of Junction	Insulation	Sheath MOC	Sheath DIA "D"	Sheath Length mm "L"
J	S Single	0G	01	03 SS 310	6 mm	_____ mm
K	D Double	Grounded	Mineral	04 SS 316	8 mm	
T		UG	Insulated	06 SS 321	x others	
E		Ungrounded		13 Inconel 600		
N						
R						
S						
B						

ATC 1003-B

An ISO 9001 : 2008 company

Corporate & Mktg. Office : 165, G.I.D.C. Makarpura, Vadodara 390 010. Tel. : +91 - 265 - 2643550, 2646021.  
 ■ Fax : + 91 - 265 - 2641054 ■ E-mail : marketing@altopindustries.com

Factory : 392 , 419-A, GIDC, Makarpura, Vadodara - 390 010.  
 ■ Tel. : 0265-2658480 ■ E-mail : support@altopindustries.com

MUMBAI : 5, Turakhia Park, Shopping Complex, Building No. 1, Next to Corporation Bank, M. G. Road, Kandivali (W) MUMBAI - 400 067. ■ Tel. : (022) 2806 6032 / 2806 6036 ■ Fax : (022) 2862 9113  
 ■ Email : bombay@altopindustries.com



**ALTOP Industries Ltd.**

PROCESS CONTROL INSTRUMENTATION

CIN - U91110GJ1993PLC018831

<http://www.altopindustries.com>