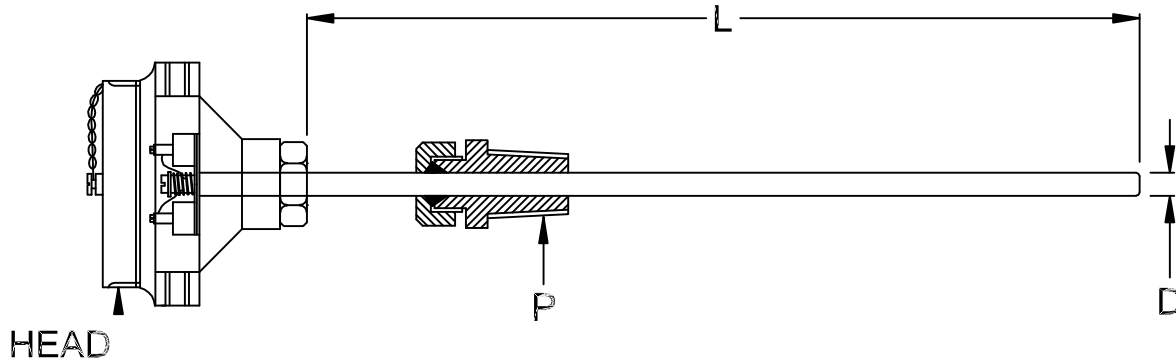


# THERMOCOUPLE WITH FLAME PROOF ENCLOSURE ATC 1003-C



Head	Cable Gland	"P" Process Connection Size	Thermocouple	Certification	Accuracy																																
<table border="1"> <thead> <tr> <th>Material</th> <th>No. of Entries</th> <th>Cable Entries Size</th> <th>Entries Plugged</th> </tr> </thead> <tbody> <tr> <td>B C. Alu. FLP-I / IIA / IIB</td> <td>01</td> <td>3/4" ET</td> <td></td> </tr> <tr> <td>C C. Alu. FLP-IIC</td> <td>02</td> <td>1/2" NPT</td> <td></td> </tr> <tr> <td>E SS 304 FLP-I / IIA / IIB</td> <td></td> <td></td> <td></td> </tr> <tr> <td>H SS 316 FLP-I / IIA / IIB</td> <td></td> <td></td> <td></td> </tr> <tr> <td>xx Others</td> <td></td> <td></td> <td></td> </tr> <tr> <td>1 Single Entry</td> <td></td> <td>1</td> <td></td> </tr> <tr> <td>2 Dual Entry</td> <td></td> <td>x None</td> <td></td> </tr> </tbody> </table>	Material	No. of Entries	Cable Entries Size	Entries Plugged	B C. Alu. FLP-I / IIA / IIB	01	3/4" ET		C C. Alu. FLP-IIC	02	1/2" NPT		E SS 304 FLP-I / IIA / IIB				H SS 316 FLP-I / IIA / IIB				xx Others				1 Single Entry		1		2 Dual Entry		x None		<p>O None                      C FLP-1/IIA/IIB Double Compression Brass Ni Plated                      D FLP-IIC Double Compression Brass Ni Plated                      X Others</p>	<p>02 1/2" BSP                      02A 1/2" NPT                      03 3/4" BSP                      03A 3/4" NPT                      X OTHERS</p>		<p>C1 CMRI                      C2 CCOE                      C3 BIS                      C4 DIGIFASLI                      C5 ATEX                      C6 DGMS</p>	<p>ANSI MC 96.1                      A Standard                      B Special</p>
Material	No. of Entries	Cable Entries Size	Entries Plugged																																		
B C. Alu. FLP-I / IIA / IIB	01	3/4" ET																																			
C C. Alu. FLP-IIC	02	1/2" NPT																																			
E SS 304 FLP-I / IIA / IIB																																					
H SS 316 FLP-I / IIA / IIB																																					
xx Others																																					
1 Single Entry		1																																			
2 Dual Entry		x None																																			

Thermocouple Type	No. of Elements	Type of Junction	Insulation	Sheath MOC	Sheath DIA "D"	Sheath Length mm "L"
J	S Single	0G	01 Mineral Insulated	03 SS310	6 mm	_____ mm
K	D Double	Grounded		04 SS316	8 mm	
T		UG		06 SS321	x others	
E		Ungrounded		13 Inconel 600		
N						
R						
S						
B						

ATC 1003-C

An ISO 9001 : 2008 company

Corporate & Mktg. Office : 165, G.I.D.C. Makarpura, Vadodara 390 010. Tel. : +91 - 265 - 2643550, 2646021.  
 ■ Fax : + 91 - 265 - 2641054 ■ E-mail : marketing@altopindustries.com

Factory : 392 , 419-A, GIDC, Makarpura, Vadodara - 390 010.  
 ■ Tel. : 0265-2658480 ■ E-mail : support@altopindustries.com

MUMBAI : 5, Turakhia Park, Shopping Complex, Building No. 1, Next to Corporation Bank, M. G. Road, Kandivali (W) MUMBAI - 400 067. ■ Tel. : (022) 2806 6032 / 2806 6036 ■ Fax : (022) 2862 9113  
 ■ Email : bombay@altopindustries.com

**ALTOP Industries Ltd.**  
 PROCESS CONTROL INSTRUMENTATION  
 CIN - U91110GJ1993PLC018831  
<http://www.altopindustries.com>