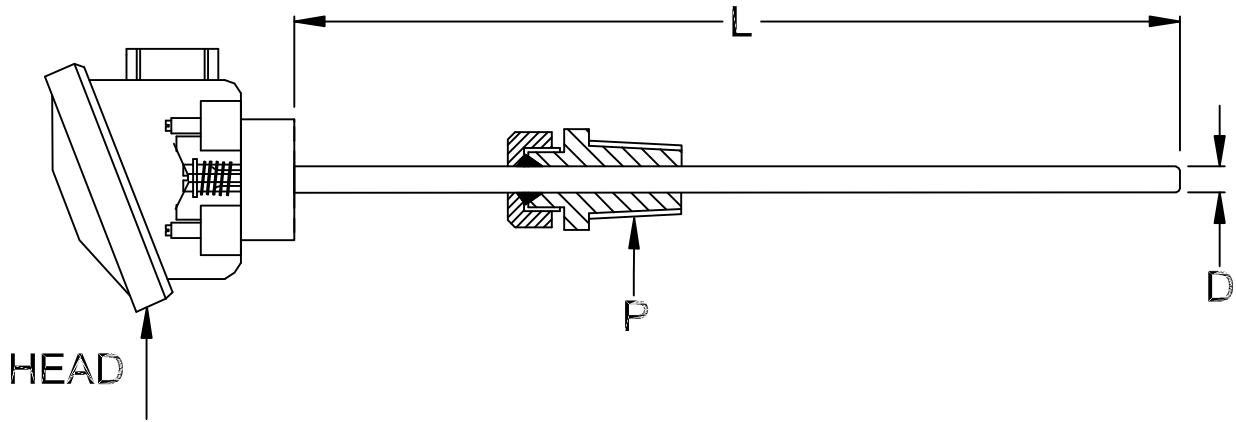


THERMOCOUPLE WITH WEATHER PROOF SMALL ENCLOSURE ATC 1004



Head	Cable Gland	Process Connection Size	Thermocouple	Accuracy															
<table border="1"> <thead> <tr> <th>Material</th> <th>No. of Entries</th> <th>Cable Entries Size</th> </tr> </thead> <tbody> <tr> <td>A C. Alu. WP</td> <td>01</td> <td>3/4" ET</td> </tr> <tr> <td colspan="3">1 Single Entry</td> </tr> </tbody> </table>	Material	No. of Entries	Cable Entries Size	A C. Alu. WP	01	3/4" ET	1 Single Entry			A W. P. Single Compression Brass Ni Plated	<table border="1"> <tbody> <tr> <td>02 1/2" BSP</td> <td>03 3/4" BSP</td> </tr> <tr> <td>02A 1/2" NPT</td> <td>03A 3/4" NPT</td> </tr> <tr> <td>09. Others</td> <td></td> </tr> </tbody> </table>	02 1/2" BSP	03 3/4" BSP	02A 1/2" NPT	03A 3/4" NPT	09. Others			ANSI MC 96.1 A Standard B Special
Material	No. of Entries	Cable Entries Size																	
A C. Alu. WP	01	3/4" ET																	
1 Single Entry																			
02 1/2" BSP	03 3/4" BSP																		
02A 1/2" NPT	03A 3/4" NPT																		
09. Others																			

Thermocouple Type	No. of Elements	Type of Junction	Insulation	Sheath MOC	Sheath DIA "D"	Sheath Length mm "L"
J	S Single	0G	01	01 SS304	___ mm	___ mm
K	D Double	Grounded	MI (up to Dia 8mm)	03 SS310		
T		UG	02	04 SS316		
E		Ungrounded	Beaded	06 SS321		
N				13 Inconel 600		
R						
S						
B						

ATC
1004

Corporate & Mktg. Office : 165, G.I.D.C. Makarpura, Vadodara 390 010. Tel. : +91 - 265 - 2643550, 2646021.

■ Fax : + 91 - 265 - 2641054 ■ E-mail : marketing@altopindustries.com

Factory : 392 , 419-A, GIDC, Makarpura, Vadodara - 390 010.

■ Tel. : 0265-2658480 ■ E-mail : support@altopindustries.com

MUMBAI : 5, Turakhia Park, Shopping Complex, Building No. 1, Next to Corporation Bank, M. G. Road, Kandivali (W) MUMBAI - 400 067. ■ Tel. : (022) 2806 6032 / 2806 6036 ■ Fax : (022) 2862 9113

■ Email : bombay@altopindustries.com



ALTOP Industries Ltd.

PROCESS CONTROL INSTRUMENTATION

CIN - U91110GJ1993PLC018831

<http://www.altopindustries.com>