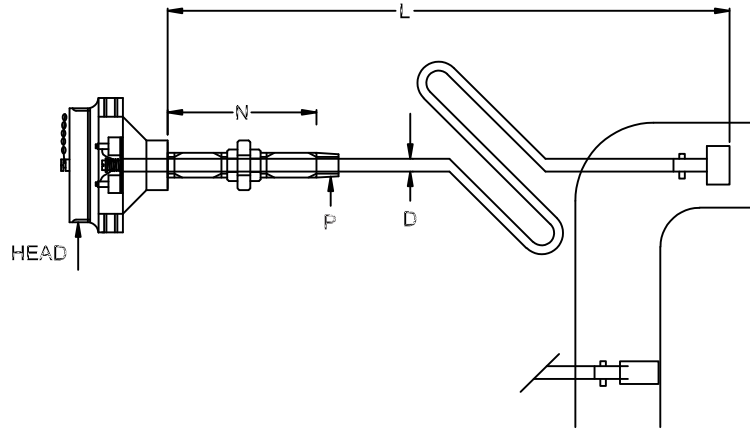


SKIN THERMOCOUPLE WITH FLAME PROOF HEAD ASSEMBLY ATC 1008-A



Head	Cable Gland	Lag Extension	Process Connection "P"	Thermocouple	Weld Pad MOC	Tube OD	Weld Pad Dim	Moun-ting	Weld Clamp MOC	Weld Clamp Qty.	Accuracy																										
<table border="1"> <thead> <tr> <th>Material</th> <th>No. of Entries</th> <th>Cable Entries Size</th> <th>Entries Plugged</th> </tr> </thead> <tbody> <tr> <td>B C. A. IIA/IIB</td> <td rowspan="2">02A</td> <td rowspan="2">1/2" NPT</td> <td rowspan="2">1 Plugged</td> </tr> <tr> <td>C C. A. IIC</td> </tr> <tr> <td>E SS 304 IIA / IIB</td> <td rowspan="2">03A</td> <td rowspan="2">3/4" NPT</td> <td rowspan="2">x None</td> </tr> <tr> <td>H SS 316 IIA / IIB</td> </tr> <tr> <td>X Others</td> <td></td> <td></td> <td></td> </tr> <tr> <td>1 Single Entry</td> <td>1</td> <td></td> <td></td> </tr> <tr> <td>2 Dual Entry</td> <td>x</td> <td></td> <td></td> </tr> </tbody> </table>	Material	No. of Entries	Cable Entries Size	Entries Plugged	B C. A. IIA/IIB	02A	1/2" NPT	1 Plugged	C C. A. IIC	E SS 304 IIA / IIB	03A	3/4" NPT	x None	H SS 316 IIA / IIB	X Others				1 Single Entry	1			2 Dual Entry	x							03 SS 310 04 SS 316 06 SS 321 13 Inconel 600	XX mm	1 25 X 19 X 5 mm X Others,	1 Longitudinal 2. Right Angle			
Material	No. of Entries	Cable Entries Size	Entries Plugged																																		
B C. A. IIA/IIB	02A	1/2" NPT	1 Plugged																																		
C C. A. IIC																																					
E SS 304 IIA / IIB	03A	3/4" NPT	x None																																		
H SS 316 IIA / IIB																																					
X Others																																					
1 Single Entry	1																																				
2 Dual Entry	x																																				
<table border="1"> <tbody> <tr> <td>O None</td> </tr> <tr> <td>C FLP-1/IIA/IIB Double Compression Brass Ni Plated</td> </tr> <tr> <td>D FLP-IIC Double Compression Brass Ni Plated</td> </tr> <tr> <td>X Others</td> </tr> </tbody> </table>	O None	C FLP-1/IIA/IIB Double Compression Brass Ni Plated	D FLP-IIC Double Compression Brass Ni Plated	X Others																																	
O None																																					
C FLP-1/IIA/IIB Double Compression Brass Ni Plated																																					
D FLP-IIC Double Compression Brass Ni Plated																																					
X Others																																					
<table border="1"> <tbody> <tr> <td>O None</td> <td></td> </tr> <tr> <td>1 CS Nipple Union Nipple</td> <td>150mm</td> </tr> <tr> <td>2 SS 304 Nipple Union Nipple</td> <td>150mm</td> </tr> <tr> <td>3 SS 316 Nipple Union Nipple</td> <td>150mm</td> </tr> </tbody> </table>	O None		1 CS Nipple Union Nipple	150mm	2 SS 304 Nipple Union Nipple	150mm	3 SS 316 Nipple Union Nipple	150mm																													
O None																																					
1 CS Nipple Union Nipple	150mm																																				
2 SS 304 Nipple Union Nipple	150mm																																				
3 SS 316 Nipple Union Nipple	150mm																																				
<table border="1"> <tbody> <tr> <td>02A 1/2" NPT</td> </tr> <tr> <td>06 1" BSP</td> </tr> <tr> <td>06A 1" NPT</td> </tr> <tr> <td>09 Others</td> </tr> </tbody> </table>	02A 1/2" NPT	06 1" BSP	06A 1" NPT	09 Others											ANSI MC 96.1 A Standard B Special																						
02A 1/2" NPT																																					
06 1" BSP																																					
06A 1" NPT																																					
09 Others																																					

Thermocouple Type	No. of Elements	Type of Junction	Insulation	Sheath MOC	Sheath DIA	Sheath Length
J	S Single	0G	Mineral Insulated	03 SS 310	6 mm	_____ mm
K	D Double	Grounded		04 SS 316	8 mm	
T		UG		11 SS 446	12 mm	
E		Ungrounded		13 Inconel 600	x others	
N						

ATC 1008-A

An ISO 9001 : 2008 company

Corporate & Mktg. Office : 165, G.I.D.C. Makarpura, Vadodara 390 010. Tel. : +91 - 265 - 2643550, 2646021.
 ■ Fax : + 91 - 265 - 2641054 ■ E-mail : marketing@altopindustries.com

Factory : 392 , 419-A, GIDC, Makarpura, Vadodara - 390 010.
 ■ Tel. : 0265-2658480 ■ E-mail : support@altopindustries.com

MUMBAI : 5, Turakhia Park, Shopping Complex, Building No. 1, Next to Corporation Bank, M. G. Road, Kandivali (W) MUMBAI - 400 067. ■ Tel. : (022) 2806 6032 / 2806 6036 ■ Fax : (022) 2862 9113
 ■ Email : bombay@altopindustries.com

ALTOP Industries Ltd.
 PROCESS CONTROL INSTRUMENTATION
 CIN - U91110GJ1993PLC018831
<http://www.altopindustries.com>