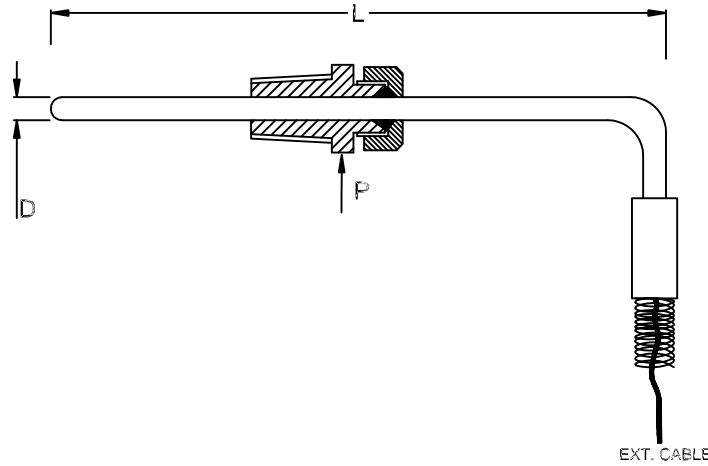


BAYONET THERMOCOUPLE RIGHT ANGLE MOUNTING ATC 1012-D



EXT. CABLE

Thermocouple Type	No. of Elements	Type of Junction	Insulation	Sheath MOC	Sheath Dia "D"	Sheath Length "L" mm	Cable	Cable Length	Connection "P"	Accuracy
J, K										
S Single D Double										
0G Grounded UG Ungrounded										
01 Mineral Insulated										
04 SS316										
5 mm 6 mm x others										
___ mm										
FFS 1/20 Fibre / Fibre / SS TFS 7/36 Teflon/Fibre/SS TT 7/36 Teflon/Teflon										
___ Mtr.										
2A 1/2" NPT X Others										ANSI MC 96.1 A Standard B Special
ATC 1012-D										

An ISO 9001 : 2008 company

Corporate & Mktg. Office : 165, G.I.D.C. Makarpura, Vadodara 390 010. Tel. : +91 - 265 - 2643550, 2646021.
 ■ Fax : + 91 - 265 - 2641054 ■ E-mail : marketing@altopindustries.com

Factory : 392 , 419-A, GIDC, Makarpura, Vadodara - 390 010.
 ■ Tel. : 0265-2658480 ■ E-mail : support@altopindustries.com

MUMBAI : 5, Turakhia Park, Shopping Complex, Building No. 1, Next to Corporation Bank, M. G. Road, Kandivali (W) MUMBAI - 400 067. ■ Tel. : (022) 2806 6032 / 2806 6036 ■ Fax : (022) 2862 9113
 ■ Email : bombay@altopindustries.com



ALTOP Industries Ltd.

PROCESS CONTROL INSTRUMENTATION

CIN - U91110GJ1993PLC018831

<http://www.altopindustries.com>