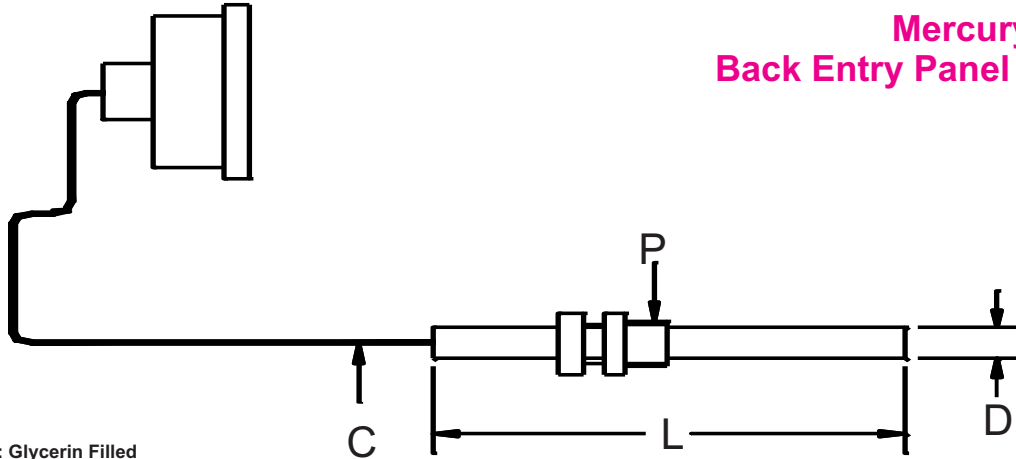


"ALTOP" DIAL THERMOMETER, CAPILLARY TYPE ATG 1001-D



**Mercury-in-steel
Back Entry Panel Mounted**



Option : Glycerin Filled

Dial Size	Case & Bezel	Capillary "C"	Stem	Connection	Temp. Range	Elec. Contact	Accuracy																									
01 63 mm 02 100 mm 03 150 mm 04 250 mm	A Cast Aluminum D SS 304 G SS 316																															
<table border="1"> <thead> <tr> <th>MATERIAL</th> <th>LENGTH</th> </tr> </thead> <tbody> <tr> <td>a) 3/16" SS 304</td> <td rowspan="3">_____ Mtr.</td> </tr> <tr> <td>b) SS 304 Armour</td> </tr> <tr> <td>c) SS 304+ PVC</td> </tr> </tbody> </table>		MATERIAL	LENGTH	a) 3/16" SS 304	_____ Mtr.	b) SS 304 Armour	c) SS 304+ PVC																									
MATERIAL	LENGTH																															
a) 3/16" SS 304	_____ Mtr.																															
b) SS 304 Armour																																
c) SS 304+ PVC																																
<table border="1"> <thead> <tr> <th>MATERIAL</th> <th>DIA "D"</th> <th>LENGTH "L"</th> </tr> </thead> <tbody> <tr> <td>01 SS 304</td> <td>01 8mm</td> <td rowspan="7">_____ mm</td> </tr> <tr> <td rowspan="6">04 SS 316</td> <td>02 10mm</td> </tr> <tr> <td>03 12mm</td> </tr> <tr> <td>04 1/4"</td> </tr> <tr> <td>05 3/8"</td> </tr> <tr> <td>06 1/2"</td> </tr> <tr> <td>07 Other</td> </tr> </tbody> </table>		MATERIAL	DIA "D"	LENGTH "L"	01 SS 304	01 8mm	_____ mm	04 SS 316	02 10mm	03 12mm	04 1/4"	05 3/8"	06 1/2"	07 Other																		
MATERIAL	DIA "D"	LENGTH "L"																														
01 SS 304	01 8mm	_____ mm																														
04 SS 316	02 10mm																															
	03 12mm																															
	04 1/4"																															
	05 3/8"																															
	06 1/2"																															
	07 Other																															
02 1/2" BSP 02A 1/2" NPT X Other																																
					<table border="1"> <tbody> <tr><td>A</td><td>-38 to +40 °C</td></tr> <tr><td>B</td><td>-20 to 80 °C</td></tr> <tr><td>C</td><td>0 to 50 °C</td></tr> <tr><td>D</td><td>0 to 100 °C</td></tr> <tr><td>E</td><td>0 to 120 °C</td></tr> <tr><td>F</td><td>0 to 150 °C</td></tr> <tr><td>G</td><td>0 to 200 °C</td></tr> <tr><td>H</td><td>0 to 250 °C</td></tr> <tr><td>I</td><td>0 to 300 °C</td></tr> <tr><td>J</td><td>0 to 350 °C</td></tr> <tr><td>K</td><td>0 to 400 °C</td></tr> <tr><td>L</td><td>0 to 500 °C</td></tr> <tr><td>M</td><td>0 to 600 °C</td></tr> </tbody> </table>	A	-38 to +40 °C	B	-20 to 80 °C	C	0 to 50 °C	D	0 to 100 °C	E	0 to 120 °C	F	0 to 150 °C	G	0 to 200 °C	H	0 to 250 °C	I	0 to 300 °C	J	0 to 350 °C	K	0 to 400 °C	L	0 to 500 °C	M	0 to 600 °C	02 1% (A to K) 03 1.5% (L to M)
A	-38 to +40 °C																															
B	-20 to 80 °C																															
C	0 to 50 °C																															
D	0 to 100 °C																															
E	0 to 120 °C																															
F	0 to 150 °C																															
G	0 to 200 °C																															
H	0 to 250 °C																															
I	0 to 300 °C																															
J	0 to 350 °C																															
K	0 to 400 °C																															
L	0 to 500 °C																															
M	0 to 600 °C																															
				<table border="1"> <tbody> <tr><td>O</td><td>NONE</td><td>01 Slide Type</td></tr> <tr><td>01</td><td>1 N/O</td><td>200 mA at 230V AC</td></tr> <tr><td>02</td><td>2 N/O</td><td>02 Magnetic Type</td></tr> <tr><td>03</td><td>1 N/C</td><td>1 Amp at 230V AC</td></tr> <tr><td>04</td><td>2 N/C</td><td></td></tr> <tr><td>05</td><td>1 N/O + 1 N/C</td><td></td></tr> </tbody> </table> <p>* Available for 4" & 6" Dial Size Only</p>	O	NONE	01 Slide Type	01	1 N/O	200 mA at 230V AC	02	2 N/O	02 Magnetic Type	03	1 N/C	1 Amp at 230V AC	04	2 N/C		05	1 N/O + 1 N/C											
O	NONE	01 Slide Type																														
01	1 N/O	200 mA at 230V AC																														
02	2 N/O	02 Magnetic Type																														
03	1 N/C	1 Amp at 230V AC																														
04	2 N/C																															
05	1 N/O + 1 N/C																															
ATG 1001-D																																

An ISO 9001 : 2008 company

Corporate & Mktg. Office : 165, G.I.D.C. Makarpura, Vadodara 390 010. Tel. : +91 - 265 - 2643550, 2646021.
 ■ Fax : + 91 - 265 - 2641054 ■ E-mail : marketing@altopindustries.com

Factory : 392 , 419-A, GIDC, Makarpura, Vadodara - 390 010.
 ■ Tel. : 0265-2658480 ■ E-mail : support@altopindustries.com

MUMBAI : 5, Turakhia Park Shopping Complex, Building No. 1, Next to Corporation Bank, M. G. Road, Kandivali (W), MUMBAI - 400 067. ■ Tel. : (022) 2806 6032 / 2806 6036 ■ Fax : (022) 2862 9113
 ■ Email : bombay@altopindustries.com

ALTOP Industries Ltd.
 PROCESS CONTROL INSTRUMENTATION
 CIN - U91110GJ1993PLC018831
<http://www.altopindustries.com>