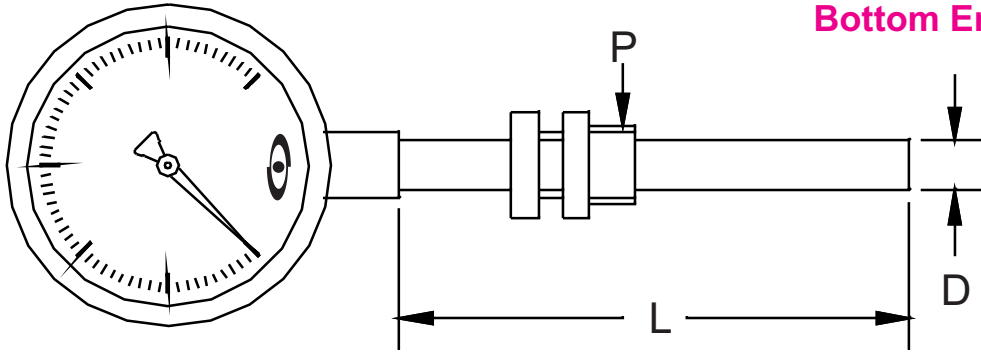


"ALTOP" DIAL THERMOMETER, STEM TYPE ATG 1001



**Mercury-in-steel - Vertical
Bottom Entry**



Option : Glycerin Filled

Dial Size	Case & Bezel	Stem	Connection "P"	Temp. Range	Elec. Contact	Accuracy
-----------	--------------	------	----------------	-------------	---------------	----------

- 01 63 mm
- 02 100 mm
- 03 150 mm
- 04 250 mm

- A Cast Aluminum
- D SS 304
- G SS 316

MATERIAL	DIA "D"	LENGTH "L"
01 SS 304	01 8mm	_____mm
04 SS 316	02 10mm	
	03 12mm	
	04 1/4"	
	05 3/8"	
	06 1/2"	
	07 Other	

- A -38 to +40 °C
- B -20 to 80 °C
- C 0 to 50 °C
- D 0 to 100 °C
- E 0 to 120 °C
- F 0 to 150 °C
- G 0 to 200 °C
- H 0 to 250 °C
- I 0 to 300 °C
- J 0 to 350 °C
- K 0 to 400 °C
- L 0 to 500 °C
- M 0 to 600 °C

- 02 1% (A to K)
- 03 1.5% (L to M)

- 02 1/2" BSP
- 02A 1/2" NPT
- X Other

- | | |
|------------------|-------------------|
| O NONE | 01 Slide Type |
| 01 1 N/O | 200 mA at 230V AC |
| 02 2 N/O | 02 Magnetic Type |
| 03 1 N/C | 1 Amp at 230V AC |
| 04 2 N/C | |
| 05 1 N/O + 1 N/C | |
- * Available for 4" & 6" Dial Size Only

ATG 1001									
-------------	--	--	--	--	--	--	--	--	--

An ISO 9001 : 2008 company

Corporate & Mktg. Office : 165, G.I.D.C. Makarpura, Vadodara 390 010. Tel. : +91 - 265 - 2643550, 2646021.
 Fax : + 91 - 265 - 2641054 E-mail : marketing@altopindustries.com

Factory : 392 , 419-A, GIDC, Makarpura, Vadodara - 390 010.
 Tel. : 0265-2658480 E-mail : support@altopindustries.com

MUMBAI : 5, Turakhia Park Shopping Complex, Building No. 1, Next to Corporation Bank, M. G. Road, Kandivali (W), MUMBAI - 400 067. Tel. : (022) 2806 6032 / 2806 6036 Fax : (022) 2862 9113
 Email : bombay@altopindustries.com

ALTOP Industries Ltd.
 PROCESS CONTROL INSTRUMENTATION
 CIN - U91110GJ1993PLC018831
<http://www.altopindustries.com>

wa.f. 07-07-14