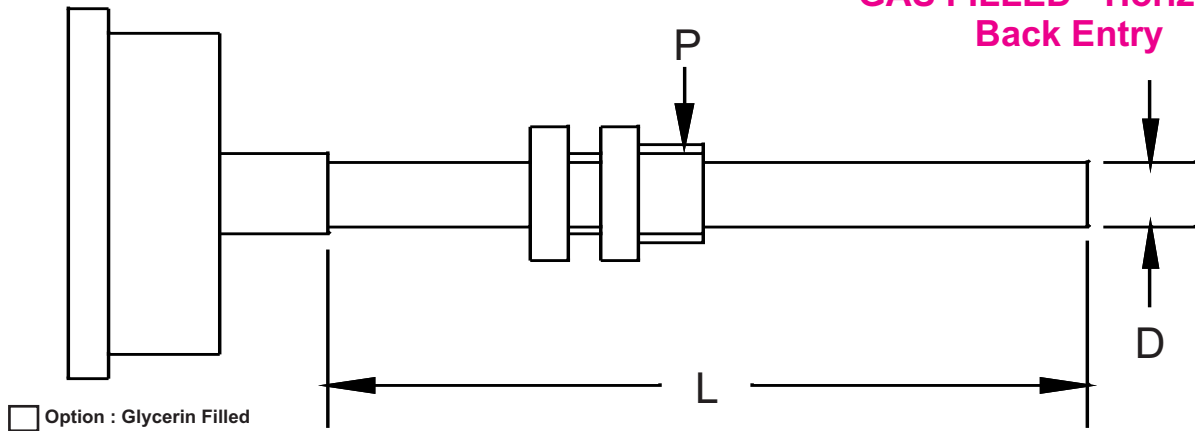


"ALTOP" DIAL THERMOMETER, STEM TYPE ATG 1002-A



**GAS FILLED - Horizontal
Back Entry**



Dial Size	Case & Bezel	Stem	Connection "p"	Temp. Range	Elec. Contact	Accuracy																
01 63mm 02 100 mm 03 150 mm	A Cast Aluminum D SS 304 G SS 316																					
<table border="1"> <thead> <tr> <th>MATERIAL</th> <th>DIA "D"</th> <th>LENGTH "L"</th> </tr> </thead> <tbody> <tr> <td>01 SS 304</td> <td>01 10mm</td> <td rowspan="5">_____ mm</td> </tr> <tr> <td>04 SS 316</td> <td>02 12mm</td> </tr> <tr> <td></td> <td>03 8mm</td> </tr> <tr> <td></td> <td>04 3/8"</td> </tr> <tr> <td></td> <td>05 1/2"</td> </tr> <tr> <td></td> <td>06 Other</td> <td></td> </tr> </tbody> </table>		MATERIAL	DIA "D"	LENGTH "L"	01 SS 304	01 10mm	_____ mm	04 SS 316	02 12mm		03 8mm		04 3/8"		05 1/2"		06 Other				<p>A -40 to +60 °C B -20 to 80 °C C 0 to 50 °C D 0 to 100 °C E 0 to 120 °C F 0 to 150 °C G 0 to 200 °C H 0 to 250 °C I 0 to 300 °C J 0 to 350 °C K 0 to 400 °C L 0 to 500 °C M 0 to 600 °C</p>	02 1% (A to I) 03 1.5% (J to M)
MATERIAL	DIA "D"	LENGTH "L"																				
01 SS 304	01 10mm	_____ mm																				
04 SS 316	02 12mm																					
	03 8mm																					
	04 3/8"																					
	05 1/2"																					
	06 Other																					
02 1/2" BSP 02A 1/2" NPT X Other					<p>O NONE 01 1 N/O 02 2 N/O 03 1 N/C 04 2 N/C 05 1 N/O + 1 N/C <small>* Available for 4" & 6" Dial Size Only</small></p>	01 Slide Type 200 mA at 230V AC 02 Magnetic Type 1 Amp at 230V AC																
ATG 1002-A																						

An ISO 9001 : 2008 company

Corporate & Mktg. Office : 165, G.I.D.C. Makarpura, Vadodara 390 010. Tel. : +91 - 265 - 2643550, 2646021.
 ■ Fax : + 91 - 265 - 2641054 ■ E-mail : marketing@altopindustries.com

Factory : 392 , 419-A, GIDC, Makarpura, Vadodara - 390 010.
 ■ Tel. : 0265-2658480 ■ E-mail : support@altopindustries.com

MUMBAI : 5, Turakhia Park Shopping Complex, Building No. 1, Next to Corporation Bank, M. G. Road, Kandivali (W), MUMBAI - 400 067. ■ Tel. : (022) 2806 6032 / 2806 6036 ■ Fax : (022) 2862 9113
 ■ Email : bombay@altopindustries.com



ALTOP Industries Ltd.

PROCESS CONTROL INSTRUMENTATION

CIN - U91110GJ1993PLC018831

<http://www.altopindustries.com>