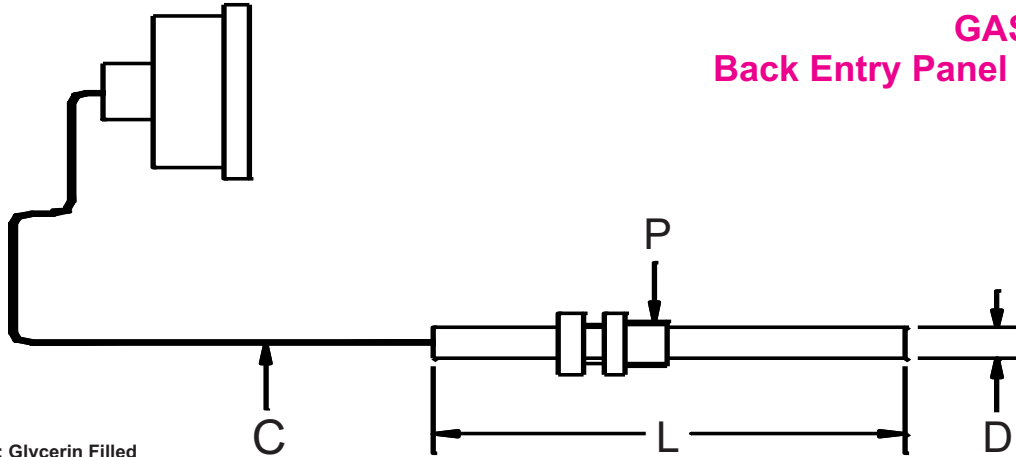


"ALTOP" DIAL THERMOMETER, CAPILLARY TYPE ATG 1002-D



GAS FILLED
Back Entry Panel Mounted



Option : Glycerin Filled

Dial Size	Case & Bezel	Capillary "C"	Stem	Connection	Temp. Range	Elec. Contact	Accuracy																										
01 63 mm 02 100 mm 03 150 mm	A Cast Aluminum D SS 304 G SS 316																																
<table border="1"> <thead> <tr> <th>MATERIAL</th> <th>LENGTH</th> </tr> </thead> <tbody> <tr> <td>a) COPPER</td> <td rowspan="4">_____ Mtr.</td> </tr> <tr> <td>b) 3/16" SS 304</td> </tr> <tr> <td>c) SS 304 Armour</td> </tr> <tr> <td>d) SS 304+ PVC</td> </tr> </tbody> </table>		MATERIAL	LENGTH	a) COPPER	_____ Mtr.	b) 3/16" SS 304	c) SS 304 Armour	d) SS 304+ PVC																									
MATERIAL	LENGTH																																
a) COPPER	_____ Mtr.																																
b) 3/16" SS 304																																	
c) SS 304 Armour																																	
d) SS 304+ PVC																																	
<table border="1"> <thead> <tr> <th>MATERIAL</th> <th>DIA "D"</th> <th>LENGTH "L"</th> </tr> </thead> <tbody> <tr> <td>01 SS 304</td> <td>01 10mm</td> <td rowspan="6">_____ mm</td> </tr> <tr> <td>04 SS 316</td> <td>02 12mm</td> </tr> <tr> <td></td> <td>03 8mm</td> </tr> <tr> <td></td> <td>04 3/8"</td> </tr> <tr> <td></td> <td>05 1/2"</td> </tr> <tr> <td></td> <td>06 Other</td> </tr> </tbody> </table>		MATERIAL	DIA "D"	LENGTH "L"	01 SS 304	01 10mm	_____ mm	04 SS 316	02 12mm		03 8mm		04 3/8"		05 1/2"		06 Other																
MATERIAL	DIA "D"	LENGTH "L"																															
01 SS 304	01 10mm	_____ mm																															
04 SS 316	02 12mm																																
	03 8mm																																
	04 3/8"																																
	05 1/2"																																
	06 Other																																
02 1/2" BSP 02A 1/2" NPT X Other																																	
					<table border="1"> <tbody> <tr><td>A</td><td>-40 to +60 °C</td></tr> <tr><td>B</td><td>-20 to 80 °C</td></tr> <tr><td>C</td><td>0 to 50 °C</td></tr> <tr><td>D</td><td>0 to 100 °C</td></tr> <tr><td>E</td><td>0 to 120 °C</td></tr> <tr><td>F</td><td>0 to 150 °C</td></tr> <tr><td>G</td><td>0 to 200 °C</td></tr> <tr><td>H</td><td>0 to 250 °C</td></tr> <tr><td>I</td><td>0 to 300 °C</td></tr> <tr><td>J</td><td>0 to 350 °C</td></tr> <tr><td>K</td><td>0 to 400 °C</td></tr> <tr><td>L</td><td>0 to 500 °C</td></tr> <tr><td>M</td><td>0 to 600 °C</td></tr> </tbody> </table>	A	-40 to +60 °C	B	-20 to 80 °C	C	0 to 50 °C	D	0 to 100 °C	E	0 to 120 °C	F	0 to 150 °C	G	0 to 200 °C	H	0 to 250 °C	I	0 to 300 °C	J	0 to 350 °C	K	0 to 400 °C	L	0 to 500 °C	M	0 to 600 °C		
A	-40 to +60 °C																																
B	-20 to 80 °C																																
C	0 to 50 °C																																
D	0 to 100 °C																																
E	0 to 120 °C																																
F	0 to 150 °C																																
G	0 to 200 °C																																
H	0 to 250 °C																																
I	0 to 300 °C																																
J	0 to 350 °C																																
K	0 to 400 °C																																
L	0 to 500 °C																																
M	0 to 600 °C																																
					<table border="1"> <tbody> <tr><td>O</td><td>NONE</td></tr> <tr><td>01</td><td>1 N/O</td></tr> <tr><td>02</td><td>2 N/O</td></tr> <tr><td>03</td><td>1 N/C</td></tr> <tr><td>04</td><td>2 N/C</td></tr> <tr><td>05</td><td>1 N/O + 1 N/C</td></tr> </tbody> </table> <p>* Available for 4" & 6" Dial Size Only</p>	O	NONE	01	1 N/O	02	2 N/O	03	1 N/C	04	2 N/C	05	1 N/O + 1 N/C	<table border="1"> <tbody> <tr><td>01</td><td>Slide Type</td></tr> <tr><td></td><td>200 mA at 230V AC</td></tr> <tr><td>02</td><td>Magnetic Type</td></tr> <tr><td></td><td>1 Amp at 230V AC</td></tr> </tbody> </table>	01	Slide Type		200 mA at 230V AC	02	Magnetic Type		1 Amp at 230V AC							
O	NONE																																
01	1 N/O																																
02	2 N/O																																
03	1 N/C																																
04	2 N/C																																
05	1 N/O + 1 N/C																																
01	Slide Type																																
	200 mA at 230V AC																																
02	Magnetic Type																																
	1 Amp at 230V AC																																
<table border="1"> <tbody> <tr> <td>ATG 1002-D</td> <td></td> <td></td> <td></td> <td></td> <td></td> <td></td> <td></td> </tr> </tbody> </table>								ATG 1002-D																									
ATG 1002-D																																	

Corporate & Mktg. Office : 165, G.I.D.C. Makarpura, Vadodara 390 010. **Tel.** : +91 - 265 - 2643550, 2646021.
Fax : + 91 - 265 - 2641054 ■ **E-mail** : marketing@altopindustries.com

Factory : 392 , 419-A, GIDC, Makarpura, Vadodara - 390 010.
Tel. : 0265-2658480 ■ **E-mail** : support@altopindustries.com

MUMBAI : 5, Turakhia Park Shopping Complex, Building No. 1, Next to Corporation Bank, M. G. Road, Kandivali (W), MUMBAI - 400 067. ■ **Tel.** : (022) 2806 6032 / 2806 6036 ■ **Fax** : (022) 2862 9113
Email : bombay@altopindustries.com



ALTOP Industries Ltd.
PROCESS CONTROL INSTRUMENTATION

CIN - U91110GJ1993PLC018831
<http://www.altopindustries.com>