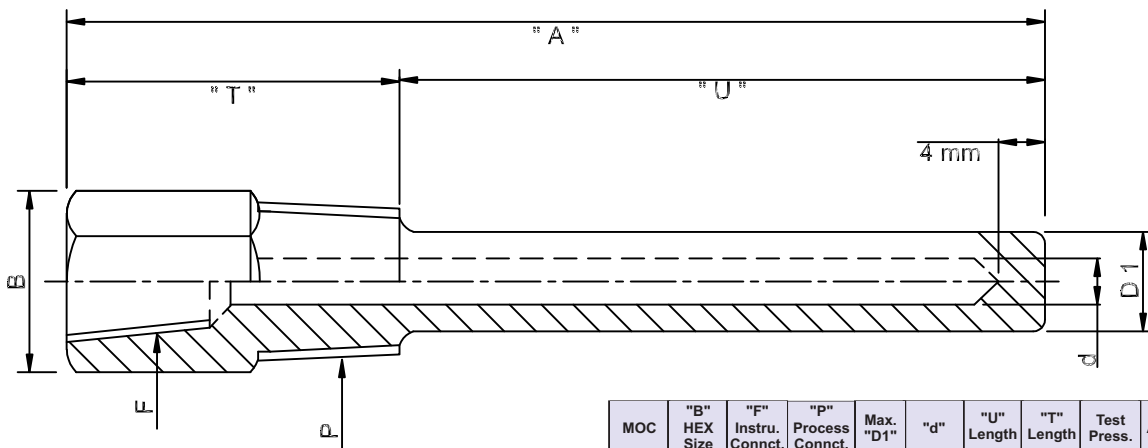


## BAR STOCK THERMOWELL, DRILLED FROM HEX BAR



MOC	"B" HEX Size	"F" Instru. Connet.	"P" Process Connet.	Max. "D1"	"d"	"U" Length	"T" Length	Test Press.	ACCS.
01 SS 304	07 SS 347	14 Inconel 825	20 Titanium						
02 SS 304 L	08 SS 347 H	15 Incolloy 800	22 Kanthal						
03 SS 310	10 SS 410	16 Monel 400	23 Brass						
04 SS 316	11 SS 446	17 Nickle 200	24 Copper						
05 SS 316 L	12 CS A105	18 Hastalloy B	xx Others						
06 SS 321	13 Inconel 600	19 Hastalloy C-276							
01 1"	03 1 1/4"								
02 1 1/8"	04 1 1/2"								
	xx Others								
01 3/8" BSP	03 3/4" BSP	# Female Thread							
01A 3/8" NPT	03A 3/4" NPT								
02 1/2" BSP	xx Others								
02A 1/2" NPT									
01 3/8" BSP	MAX O.D. 12 mm	# Male Thread							
01A 3/8" NPT	12 mm								
02 1/2" BSP	16 mm								
02A 1/2" NPT	16 mm								
03 3/4" BSP	21 mm								
03A 3/4" NPT	21 mm								
04 1" BSP	28 mm								
04A 1" NPT	28 mm								
04B M 33 x 2	28 mm								
xx Other	Specify								
07 7 mm	08 8 mm							01 100 Kg/Cm <sup>2</sup>	
09 9 mm	10 10 mm							xx Others	
12 12 mm	xx Others								
___ mm								X None	
								01 Plug and Chain	
								02 Copper Washer	
								xx Others	
01 50 mm									
xx Others									

ATW 1001-A

Corporate & Mktg. Office : 165, G.I.D.C. Makarpura, Vadodara 390 010. Tel. : +91 - 265 - 2643550, 2646021.  
 ■ Fax : + 91 - 265 - 2641054 ■ E-mail : marketing@altopindustries.com

Factory : 392 , 419-A, GIDC, Makarpura, Vadodara - 390 010.  
 ■ Tel. : 0265-2658480 ■ E-mail : support@altopindustries.com

MUMBAI : 5, Turakhia Park, Shopping Complex, Building No. 1, Next to Corporation Bank, M. G. Road, Kandivali (W) MUMBAI - 400 067. ■ Tel. : (022) 2806 6032 / 2806 6036 ■ Fax : (022) 2862 9113  
 ■ Email : bombay@altopindustries.com

**ALTOP Industries Ltd.**  
 PROCESS CONTROL INSTRUMENTATION  
 CIN - U91110GJ1993PLC018831  
<http://www.altopindustries.com>