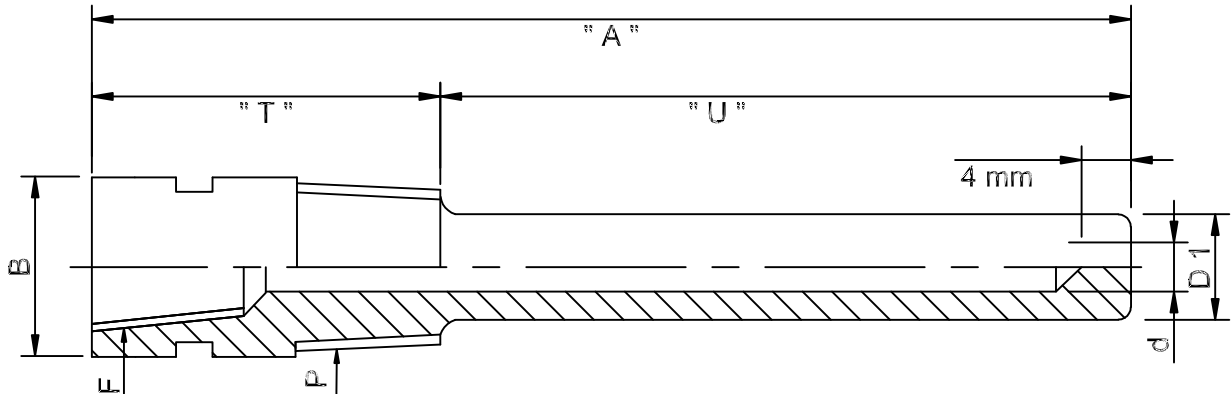


BAR STOCK DRILLED SCREWED THERMOWELL



	MOC	"B" Round Bar Size	"F" Instru. Connect.	"P" Process Connect.	Max. "D1"	"d"	"U" Length	"T" Length	Test Press.	ACCS.
01 SS 304	07 SS 347	14 Inconel 825	20 Titanium							
02 SS 304 L	08 SS 347 H	15 Incolloy 800	22 Kanthal							
03 SS 310	10 SS 410	16 Monel 400	23 Brass							
04 SS 316	11 SS 446	17 Nickle 200	24 Copper							
05 SS 316 L	12 CS A105	18 Hastalloy B	xx Others							
06 SS 321	13 Inconel 600	19 Hastalloy C-276								
28 28 mm	34 34 mm									
30 30 mm	xx Others									
01 3/8" BSP	03 3/4" BSP	# Female Thread								
01A 3/8" NPT	03A 3/4" NPT									
02 1/2" BSP	xx Others									
02A 1/2" NPT										
01 3/8" BSP	12 mm	# Male Thread								
01A 3/8" NPT	12 mm									
02 1/2" BSP	16 mm									
02A 1/2" NPT	16 mm									
03 3/4" BSP	21 mm									
03A 3/4" NPT	21 mm									
04 1" BSP	28 mm									
04A 1" NPT	28 mm									
04B M 33 x 2	28 mm									
xx Other	Specify									
07 7 mm	08 8 mm									01 100 Kg/Cm ²
09 9 mm	10 10 mm									xx Others
12 12 mm	xx Others									
___ mm										X None
01 50 mm										01 Plug and Chain
xx Others										02 Copper Washer
										xx Others

ATW
1001

Corporate & Mktg. Office : 165, G.I.D.C. Makarpura, Vadodara 390 010. Tel. : +91 - 265 - 2643550, 2646021.

■ Fax : + 91 - 265 - 2641054 ■ E-mail : marketing@altopindustries.com

Factory : 392 , 419-A, GIDC, Makarpura, Vadodara - 390 010.

■ Tel. : 0265-2658480 ■ E-mail : support@altopindustries.com

MUMBAI : 5, Turakhia Park, Shopping Complex, Building No. 1, Next to Corporation Bank, M. G. Road, Kandivali (W) MUMBAI - 400 067. ■ Tel. : (022) 2806 6032 / 2806 6036 ■ Fax : (022) 2862 9113

■ Email : bombay@altopindustries.com

ALTOP Industries Ltd.
PROCESS CONTROL INSTRUMENTATION

CIN - U91110GJ1993PLC018831

<http://www.altopindustries.com>