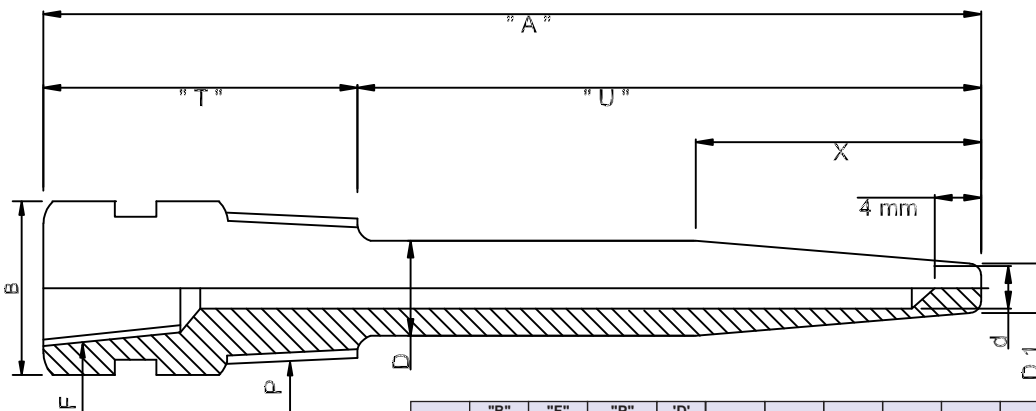


BAR STOCK DRILLED SCREWED THERMOWELL (PARTLY TAPERED)



MOC	"B" Round Bar Size	"F" Instru. Connect.	"P" Process Connect.	"D" Max. OD	"X" LEN	"D1"	"d"	"U" Length	"T" Length	Test Press.	ACCS.
01	SS 304	07	SS 347	14	Inconel 825	20	Titanium				
02	SS 304 L	08	SS 347 H	15	Incolloy 800	22	Kanthal				
03	SS 310	10	SS 410	16	Monel 400	23	Brass				
04	SS 316	11	SS 446	17	Nickle 200	24	Copper				
05	SS 316 L	12	CS A105	18	Hastalloy B	xx	Others				
06	SS 321	13	Inconel 600	19	Hastalloy C-276						
28	28 mm	34	34 mm								
30	30 mm	xx	Others								
01	3/8" BSP	03	3/4" BSP	#	Female Thread						
01A	3/8" NPT	03A	3/4" NPT								
02	1/2" BSP	xx	Others								
02A	1/2" NPT										
01	3/8" BSP	12	mm	#	Male Thread						
01A	3/8" NPT	12	mm								
02	1/2" BSP	16	mm								
02A	1/2" NPT	16	mm								
03	3/4" BSP	21	mm								
03A	3/4" NPT	21	mm								
04	1" BSP	28	mm								
04A	1" NPT	28	mm								
04B	M 33 x 2	28	mm								
xx	Other		Specify								
01	150 mm	xx	Others							01	100 Kg/Cm ²
16	16mm	xx	other							xx	Other
18	18mm										
07	7 mm	10	10 mm								
08	8 mm	12	12 mm								
09	9 mm	xx	Others								
	_____ mm										
01	50 mm										
xx	Other										
											X None
											01 Plug and Chain
											02 Copper Washer
											xx Others

ATW 1002

Corporate & Mktg. Office : 165, G.I.D.C. Makarpura, Vadodara 390 010. Tel. : +91 - 265 - 2643550, 2646021.
 ■ Fax : + 91 - 265 - 2641054 ■ E-mail : marketing@altopindustries.com

Factory : 392 , 419-A, GIDC, Makarpura, Vadodara - 390 010.
 ■ Tel. : 0265-2658480 ■ E-mail : support@altopindustries.com

MUMBAI : 5, Turakhia Park, Shopping Complex, Building No. 1, Next to Corporation Bank, M. G. Road, Kandivali (W) MUMBAI - 400 067. ■ Tel. : (022) 2806 6032 / 2806 6036 ■ Fax : (022) 2862 9113
 ■ Email : bombay@altopindustries.com

ALTOP Industries Ltd.
 PROCESS CONTROL INSTRUMENTATION
 CIN - U91110GJ1993PLC018831
<http://www.altopindustries.com>