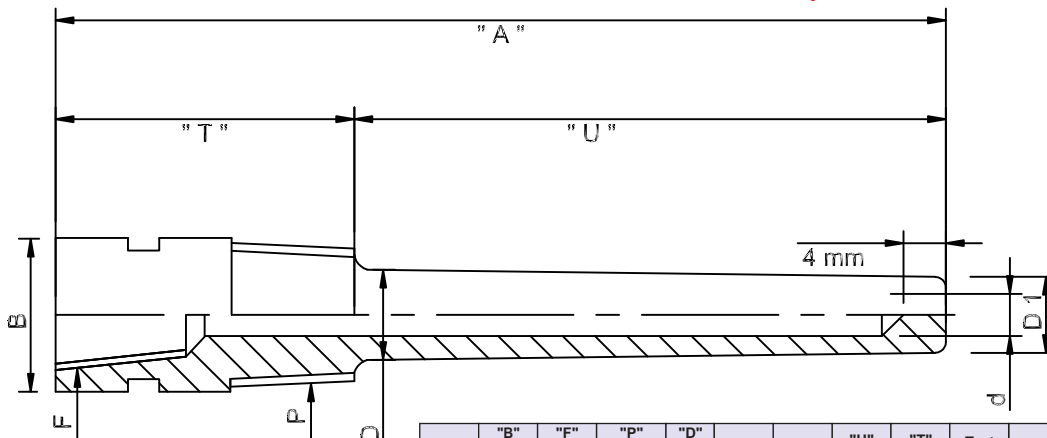


BAR STOCK DRILLED SCREWED THERMOWELL (FULL TAPERED)



MOC	"B" Round Bar Size	"F" Instru. Connct.	"P" Process Connct.	"D" Max. OD	"D1"	"d"	"U" Length	"T" Length	Test Press.	ACCS.	
01	SS 304	07	SS 347	14	Inconel 825	20	Titanium				
02	SS 304 L	08	SS 347 H	15	Incolloy 800	22	Kanthal				
03	SS 310	10	SS 410	16	Monel 400	23	Brass				
04	SS 316	11	SS 446	17	Nickle 200	24	Copper				
05	SS 316 L	12	CS A105	18	Hastalloy B	xx	Others				
06	SS 321	13	Inconel 600	19	Hastalloy C-276						
28	28 mm	34	34 mm								
30	30 mm	xx	Others								
01	3/8" BSP	03	3/4" BSP	# Female Thread							
01A	3/8" NPT	03A	3/4" NPT								
02	1/2" BSP	xx	Others								
02A	1/2" NPT										
01	3/8" BSP	MAX O.D.									
01A	3/8" NPT	12 mm									
02	1/2" BSP	16 mm									
02A	1/2" NPT	16 mm		# Male Thread							
03	3/4" BSP	21 mm									
03A	3/4" NPT	21 mm									
04	1" BSP	28 mm									
04A	1" NPT	28 mm									
04B	M 33 x 2	28 mm									
xx	Other	Specify									
16	16mm	xx	other								
18	18mm										
07	7 mm	10	10 mm								
08	8 mm	12	12 mm								
09	9 mm	xx	Others								
_____ mm											
01	50 mm										
xx	Other										
										01	100 Kg/Cm ²
										xx	Other
										X	None
										01	Plug and Chain
										02	Copper Washer
										xx	Others

ATW											
1003											

An ISO 9001 : 2008 company

Corporate & Mktg. Office : 165, G.I.D.C. Makarpura, Vadodara 390 010. Tel. : +91 - 265 - 2643550, 2646021.
 ■ Fax : + 91 - 265 - 2641054 ■ E-mail : marketing@altopindustries.com

Factory : 392 , 419-A, GIDC, Makarpura, Vadodara - 390 010.
 ■ Tel. : 0265-2658480 ■ E-mail : support@altopindustries.com

MUMBAI : 5, Turakhia Park, Shopping Complex, Building No. 1, Next to Corporation Bank, M. G. Road, Kandivali (W) MUMBAI - 400 067. ■ Tel. : (022) 2806 6032 / 2806 6036 ■ Fax : (022) 2862 9113
 ■ Email : bombay@altopindustries.com

ALTOP Industries Ltd.
 PROCESS CONTROL INSTRUMENTATION
 CIN - U91110GJ1993PLC018831
<http://www.altopindustries.com>