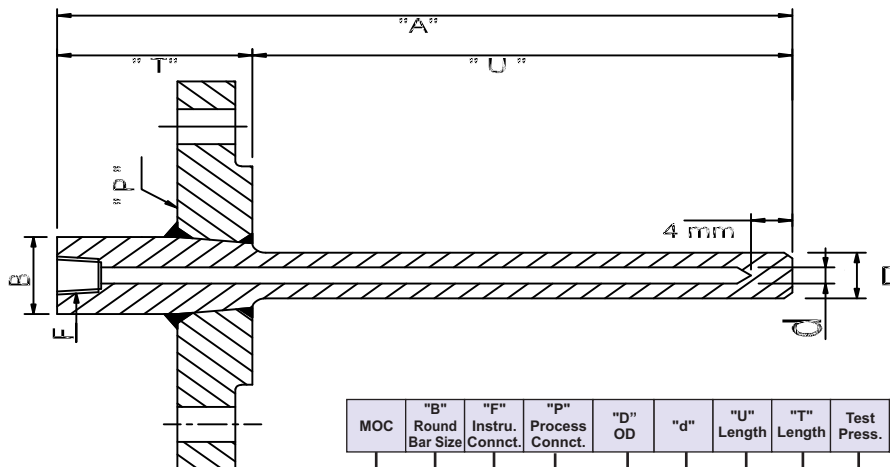


## BAR STOCK DRILLED FLANGED THERMOWELL



MOC	"B" Round Bar Size	"F" Instru. Connct.	"P" Process Connct.	"D" OD	"d"	"U" Length	"T" Length	Test Press.	ACCS.
01 SS 304	07 SS 347	14 Inconel 825	20 Titanium						
02 SS 304 L	08 SS 347 H	15 Incolloy 800	22 Kanthal						
03 SS 310	10 SS 410	16 Monel 400	23 Brass						
04 SS 316	11 SS 446	17 Nickle 200	24 Copper						
05 SS 316 L	12 CS A105	18 Hastalloy B	xx Others						
06 SS 321	13 Inconel 600	19 Hastalloy C-276							
28 28 mm	34 34 mm								
30 30 mm	xx Others								
01 3/8" BSP	03 3/4" BSP	# Female Thread							
01A 3/8" NPT	03A 3/4" NPT								
02 1/2" BSP	xx Others								
02A 1/2" NPT									
<b>MOC</b>		<b>SIZE</b>							
01 SS 304	11 SS 446	1A 1" ASA 150#	3A 2" ASA 150#						
02 SS 304 L	12 CS A105	1B 1" ASA 300#	3B 2" ASA 300#						
03 SS 310	13 Inconel 600	1C 1" ASA 600#	3C 2" ASA 600#						
04 SS 316	14 Incolloy 800	2A 1 1/2" ASA 150#	4A 1 1/2" ASA 900# RTJ						
05 SS 316 L	15 Monel 400	2B 1 1/2" ASA 300#	4B 1 1/2" ASA 1500# RTJ						
06 SS 321	16 Nickle 200	2C 1 1/2" ASA 600#	4C 1 1/2" ASA 2500# RTJ						
07 SS 347	17 Hastalloy B	2D 1 1/2" ASA 900#	09 Others						
08 SS 347 H	18 Hastalloy C-276	2E 1 1/2" ASA 1500#							
10 SS 410	xx Others	2F 1 1/2" ASA 2500#							
		<b>FINISH</b>							
		A	Serrated (RF)						
		B	Smooth (FF)						
		C	RTJ						
		xx	Other						
16 16mm	21 21mm							01 100	
18 18mm	xx other							Kg/Cm <sup>2</sup>	
								xx Other	
07 7 mm	10 10 mm								
08 8 mm	12 12 mm								
09 9 mm	xx Others								
_____ mm									
01 50 mm									X None
xx Other									01 Plug and Chain
									xx Others

ATW																			
1004																			

An ISO 9001 : 2008 company

**Corporate & Mktg. Office :** 165, G.I.D.C. Makarpura, Vadodara 390 010. **Tel. :** +91 - 265 - 2643550, 2646021.  
**Fax :** + 91 - 265 - 2641054 ■ **E-mail :** marketing@altopindustries.com

**Factory :** 392 , 419-A, GIDC, Makarpura, Vadodara - 390 010.  
**Tel. :** 0265-2658480 ■ **E-mail :** support@altopindustries.com

**MUMBAI :** 5, Turakhia Park, Shopping Complex, Building No. 1, Next to Corporation Bank, M. G. Road, Kandivali (W) MUMBAI - 400 067. ■ **Tel. :** (022) 2806 6032 / 2806 6036 ■ **Fax :** (022) 2862 9113  
**Email :** bombay@altopindustries.com

**ALTOP Industries Ltd.**  
 PROCESS CONTROL INSTRUMENTATION  
 CIN - U91110GJ1993PLC018831  
<http://www.altopindustries.com>